

Software Development Kit for Multicore Acceleration
Version 3.0



Data Communication and Synchronization Library for Cell Broadband Engine Programmer's Guide and API Reference

Software Development Kit for Multicore Acceleration
Version 3.0



Data Communication and Synchronization Library for Cell Broadband Engine Programmer's Guide and API Reference

Note

Before using this information and the product it supports, read the information in "Notices" on page 91.

Edition notice

This edition applies to version 3, release 0 of the IBM Software Development Kit for Multicore Acceleration (product number 5724-S84) and to all subsequent releases and modifications until otherwise indicated in new editions.

© Copyright International Business Machines Corporation 2007. All rights reserved.

US Government Users Restricted Rights – Use, duplication or disclosure restricted by GSA ADP Schedule Contract with IBM Corp.

Contents

About this publication	v
How to send your comments	v
Chapter 1. Overview	1
Chapter 2. Installing and configuring DaCS	3
Installation	3
Chapter 3. Programming with DaCS.	5
Building a DaCS application	6
Chapter 4. Initializing and closing down the DaCS library	7
dacs_runtime_init	8
dacs_runtime_exit	9
Chapter 5. Reservation services	11
dacs_get_num_avail_children	11
dacs_reserve_children	12
dacs_release_de_list	13
Chapter 6. Process management	15
dacs_de_start	15
dacs_num_processes_supported	17
dacs_num_processes_running	18
dacs_de_wait	19
dacs_de_test	20
Chapter 7. Group functions	21
Definitions	21
Group design	21
Group usage scenario	22
Initialization	22
Operation	22
Termination	22
Group owner functions	23
dacs_group_init	23
dacs_group_add_member	24
dacs_group_close	25
dacs_group_destroy	26
Group member functions	26
dacs_group_accept	27
dacs_group_leave	28
Process synchronization	28
dacs_barrier_wait	29
Chapter 8. Data communication	31
Remote Direct Memory Access (rDMA)	31
dacs_remote_mem_create	32
dacs_remote_mem_share	33
dacs_remote_mem_accept	34
dacs_remote_mem_release	35

dacs_remote_mem_destroy	36
dacs_remote_mem_query	37
rDMA block transfers	38
dacs_put	38
dacs_get	40
rDMA list transfers	41
dacs_put_list	42
dacs_get_list	45
Message passing	47
dacs_send	48
dacs_recv	49
Mailboxes	50
dacs_mailbox_write	51
dacs_mailbox_read	52
dacs_mailbox_test	53

Chapter 9. Wait identifier management services	55
dacs_wid_reserve	55
dacs_wid_release	56

Chapter 10. Transfer completion.	57
dacs_test	57
dacs_wait	58

Chapter 11. Locking Primitives	59
dacs_mutex_init	60
dacs_mutex_share	61
dacs_mutex_accept	62
dacs_mutex_lock	63
dacs_mutex_try_lock	64
dacs_mutex_unlock	65
dacs_mutex_release	66
dacs_mutex_destroy	67

Chapter 12. Error handling	69
User error handler example	69
dacs_errhandler_reg	71
dacs_strerror	72
dacs_error_num	73
dacs_error_code	74
dacs_error_str	75
dacs_error_de	76
dacs_error_pid	77

Appendix A. DaCS DE types	79
--	-----------

Appendix B. Performance and debug trace.	81
Trace control	81

Appendix C. DaCS trace events	83
DaCS API hooks	83

DaCS performance hooks	84	Terms and conditions	94
Appendix D. Error codes	87	Related documentation.	95
Appendix E. Accessibility features	89	Glossary	97
Notices	91	Index	99
Trademarks	93		

About this publication

This programmer's guide provides detailed information regarding the use of the Data Communication and Synchronization library APIs. It contains an overview of the Data Communication and Synchronization library, detailed reference information about the APIs, and usage information for programming with the APIs.

For information about the accessibility features of this product, see Appendix E, "Accessibility features," on page 89.

Who should use this book

This book is intended for use by accelerated library developers and compute kernel developers.

Related information

See "Related documentation" on page 95.

How to send your comments

Your feedback is important in helping to provide the most accurate and highest quality information. If you have any comments about this publication, send your comments using Resource Link™ at <http://www.ibm.com/servers/resourcelink>. Click **Feedback** on the navigation pane. Be sure to include the name of the book, the form number of the book, and the specific location of the text you are commenting on (for example, a page number or table number).

Chapter 1. Overview

The Data Communication and Synchronization (DaCS) library provides a set of services which ease the development of applications and application frameworks in a heterogeneous multi-tiered system (for example a hierarchical memory system). The DaCS services are implemented as a set of APIs providing an architecturally neutral layer for application developers on a variety of multi-core systems. One of the key abstractions that further differentiates DaCS from other programming frameworks is a hierarchical topology of processing elements, each referred to as a *DaCS Element* (DE). Within the hierarchy each DE can serve one or both of the following roles:

A general purpose processing element, acting as a supervisor, control or master processor. This type of element usually runs a full operating system and manages jobs running on other DEs. This is referred to as a *Host Element* (HE).

A general or special purpose processing element running tasks assigned by an HE. This is referred to as an *Accelerator Element* (AE).

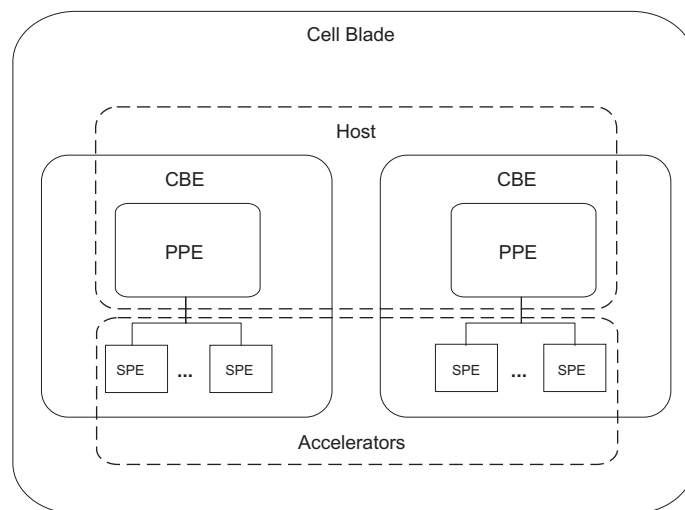


Figure 1. Example PPE Host with SPE Accelerators

The DaCS services provide the functionality needed to perform these roles and can be divided into the following categories:

Resource reservation

The resource reservation services allow an HE to reserve AEs below itself in the hierarchy. The APIs abstract the specifics of the reservation system (O/S, middleware, etc.) to allocate resources for an HE. Once reserved, the AEs can be used by the HE to execute tasks for accelerated applications.

Process management

The process management services provide the means for an HE to execute and manage accelerated applications on AEs, including, but not limited to, remote process launch, and remote error notification.

Group management

The group management services provide the means to designate dynamic

groups of processes for participation in collective operations. In SDK 3.0 this is limited to process execution synchronization (*barrier*).

Remote memory

The remote memory services provide the means to create, share, transfer data to, and transfer data from a remote memory segment. The data transfers are performed using a one-sided put/get remote direct memory access (rDMA) model. These services also provide the ability to scatter/gather lists of data, and provide optional enforcement of ordering for the data transfers.

Message passing

The message passing services provide the means for passing messages asynchronously, using a two-sided send/receive model. Messages are passed point-to-point from one process to another.

Mailboxes

The mailbox services provide a simple interface for synchronous transfer of small (32-bit) messages from one process to another.

Process Synchronization

The process synchronization services provide the means to coordinate or synchronize process execution. In SDK 3.0 this is limited to the *barrier* synchronization primitive.

Data Synchronization

The data synchronization services provide the means to synchronize and serialize data access. These include management of *wait identifiers* for synchronizing data transfers, as well as *mutex* primitives for data serialization.

Error Handling

The error handling services enable the user to register error handlers and gather error information.

Chapter 2. Installing and configuring DaCS

The DaCS library should be installed as a component of the Cell BE Software Development Kit. Once it is installed no further configuration is necessary.

Installation

Several packages are available that provide the means to develop, deploy and debug DaCS applications on your Cell BE system. The following table shows the package names with a short description:

Table 1.

Package	Description
dacs-3.0.#-#.ppc64.rpm	DaCS Runtime - Contains the optimized PPU shared library.
dacs-3.0.#-#.src.rpm	DaCS Source - Source code for the DaCS libraries.
dacs-devel-3.0.#-#.ppc64.rpm	DaCS Development - Contains the header files, optimized static PPU and SPU libraries, and debug libraries (PPU and SPU, static and shared).
dacs-cross-devel-3.0.#-#.noarch.rpm	DaCS Cross Development - Contains the header files and libraries needed for cross-architecture development.
dacs-trace-3.0.#-#.ppc64.rpm	DaCS Trace Enabled Runtime - Contains the trace enabled PPU shared library.
dacs-trace-devel-3.0.#-#.ppc64.rpm	DaCS Trace Enabled Development - Contains the header files and trace-enabled PPU and SPU static libraries.
dacsman-3.#-#.noarch.rpm	DaCS man pages.

See the *SDK 3.0 Installation Guide* for detailed installation and configuration information.

Chapter 3. Programming with DaCS

DaCS API functions

The DaCS library API services are provided as functions in the C language. The protocols and constants required are made available to the compiler by including the DaCS header file `dacs.h` as:

```
#include <dacs.h>
```

In general the return value from these functions is an error code (see Appendix D, "Error codes," on page 87). Data is returned within parameters passed to the functions.

Note: Implementations may provide options, restrictions and error codes that are not specified here.

Note: When more than one error condition is present it is not guaranteed which one will be reported.

Process management model

When working with the host and accelerators there has to be a way to uniquely identify the participants that are communicating. From an architectural perspective, each accelerator could have multiple processes simultaneously running, so it is not enough simply to identify the accelerator. Instead the unit of execution on the accelerator (the DaCS Process) must be identified using its DaCS Element Id (DE id) and its Process Id (Pid). The DE Id is retrieved when the accelerator is reserved (using `dacs_reserve_children()`) and the Pid when the process is started (using `dacs_de_start()`). Since the parent is not reserved, and no process is started on it, two constants are provided to identify the parent: `DACS_DE_PARENT` and `DACS_PID_PARENT`. Similarly, to identify the calling process itself, the constants `DACS_DE_SELF` and `DACS_PID_SELF` are provided.

Resource sharing model

The APIs supporting the locking primitives, remote memory access and groups follow a consistent pattern of creation, sharing, usage and destruction:

- **Creation:** An object is created which will be shared with other DEs, for example with `dacs_remote_mem_create()`.
- **Sharing:** The object created is then shared by linked share and accept calls. The creator shares the item (for instance with `dacs_remote_mem_share()`), and the DE it is shared with accepts it (in this example with `dacs_remote_mem_accept()`). These calls must be paired. When one is invoked it waits for the other to occur. This is done for each DE the share is actioned with.
- **Usage:** This may require closure (such as in the case of groups) or the object may immediately be available for use. For instance remote memory can immediately be used for put and get.
- **Destruction:** The DEs that have accepted an item can release the item when they are done with it (for example by calling `dacs_remote_mem_release()`). The release does not block, but notifies the creator that it is no longer being used and cleans up any local storage. The creator does a destroy (in this case

`dacs_remote_mem_destroy()` which will wait for all of the DEs it has shared with to release the item, and then destroy the shared item.

API environment

To make these services accessible to the runtime code each process must create a DaCS environment. This is done by calling the special initialization service `dacs_runtime_init()`. When this service returns the environment is set up so that all other DaCS function calls can be invoked.

When the DaCS environment is no longer required the process must call `dacs_runtime_exit()` to free all resources used by the environment.

Building a DaCS application

Three versions of the DaCS libraries are provided with the DaCS packages: optimized, debug and traced. The optimized libraries have minimal error checking and are intended for production use. The debug libraries have much more error checking than the optimized libraries and are intended to be used during application development. The traced libraries are the optimized libraries with performance and debug trace hooks in them. These are intended to be used to debug functional and performance problems that might be encountered. The traced libraries use the interfaces provided by the Performance Debug Tool (PDT) and require that this tool be installed. See Appendix B, “Performance and debug trace,” on page 81 for more information on configuring and using traced libraries.

Both static and shared libraries are provided for the PPU but only static libraries are provided for the SPU. The desired library is selected by linking to the chosen library in the appropriate path. The static library is named `libdacs.a`, and the shared library is `libdacs.so`. The locations of these are:

Table 2.

Description	PPU Library Path	SPU Library Path
Optimized	<code>/usr/lib64</code>	<code>/usr/spu/lib</code>
Debug	<code>/usr/lib64/dacs/debug</code>	<code>/usr/spu/lib/dacs/debug</code>
Traced	<code>/usr/lib64/dacs/trace</code>	<code>/usr/spu/lib/dacs/trace</code>

Chapter 4. Initializing and closing down the DaCS library

The `dacs_runtime_init` and `dacs_runtime_exit` services initialize and close down access to the DaCS library.

Call `dacs_runtime_init()` before you use any other DaCS services, and do not use any DaCS services after you have called `dacs_runtime_exit()`.

Calling `dacs_runtime_exit()` on an AE causes the communications between the AE and HE to be stopped. Calling `dacs_runtime_init()` after `dacs_runtime_exit()` will fail because once communications are stopped they can only be initiated by the HE calling `dacs_de_start()` to start a new process.

dacs_runtime_init

NAME

dacs_runtime_init - Initialize all runtime services for DaCS.

SYNOPSIS

```
DACS_ERR_T dacs_runtime_init ( void *, void * )
```

Call parameters

All parameters must be set to NULL for SDK 3.0. Passing in a value other than NULL will result in the error DACS_ERR_INVALID_ADDR.

DESCRIPTION

The dacs_runtime_init service initializes all runtime services for DaCS.

Note: This service must be called for every process before any other DaCS services can be used. All other DaCS services will return DACS_ERR_NOT_INITIALIZED if called before this service.

A host process may call this service more than once, provided there is a call to dacs_runtime_exit() in between. An accelerator process may only call this service once, even if there is an intervening call to dacs_runtime_exit().

RETURN VALUE

The dacs_runtime_init service returns an error indicator defined as:

- DACS_SUCCESS: normal return.
- DACS_ERR_INVALID_ADDR: invalid pointer.
- DACS_ERR_NO_RESOURCE: unable to allocate required resources.
- DACS_ERR_INITIALIZED: DaCS is already initialized.

SEE ALSO

dacs_runtime_exit(3)

dacs_runtime_exit

NAME

dacs_runtime_exit - Close down all runtime services for DaCS.

SYNOPSIS

DACS_ERR_T dacs_runtime_exit (void)

Parameters

None

DESCRIPTION

The dacs_runtime_exit service closes down and destroys all runtime services, processes, transfers, and memory used by DACS. After calling this service, no other DaCS services can be used until another dacs_runtime_init() is performed. Calling dacs_runtime_init() after a dacs_runtime_exit() is only supported for a host process.

RETURN VALUE

The dacs_runtime_exit service returns an error indicator defined as:

- **DACS_SUCCESS**: normal return.
- **DACS_ERR_DACSD_FAILURE**: unable to communicate with DaCSd.

SEE ALSO

dacs_runtime_init(3)

Chapter 5. Reservation services

In the DaCS environment, hosts and accelerators have a hierarchical parent-child relationship. This hierarchy forms a logical topology of parents, children, and peers. In SDK 3.0 only child-related APIs are defined and supported.

dacs_get_num_avail_children

NAME

dacs_get_num_avail_children - Return the number of children of the specified type available to be reserved.

SYNOPSIS

```
DACS_ERR_T dacs_get_num_avail_children ( DACS_DE_TYPE_T type, uint32_t *num_children )
```

Call parameter

type

The type of children to report. In SDK 3.0 this must be:

- DACS_DE_SPE.

Return parameter

**num_children*

The number of available children. This may be zero if either no children of the requested type exist, or children exist but cannot be reserved.

DESCRIPTION

The dacs_get_num_avail_children service returns the number of children of the caller of the specified type that are available for reservation.

Note: This service returns the number of children that were available at the time of the call. The actual number can change any time after the call. The number of children is only returned upon success.

RETURN VALUE

The dacs_get_num_avail_children service returns an error indicator defined as:

- DACS_SUCCESS: normal return.
- DACS_ERR_INVALID_ADDR: invalid pointer.
- DACS_ERR_INVALID_ATTR: invalid flag or enumerated constant.

SEE ALSO

dacs_reserve_children(3), dacs_release_de_list(3)

dacs_reserve_children

NAME

dacs_reserve_children - Reserve children of a specified type.

SYNOPSIS

```
DACS_ERR_T dacs_reserve_children ( DACS_DE_TYPE_T type, uint32_t
*num_children , de_id_t *de_list )
```

Call parameters

type	The type of children to report. In SDK 3.0 this must be: <ul style="list-style-type: none">• DACS_DE_SPE.
*num_children	A pointer to the number of children requested.

Return parameters

*num_children	A pointer to the number of children actually reserved. This may be less than or equal to the number requested.
*de_list	A pointer to a location where the list of reserved children is returned. The space for this list must be allocated by the caller and must have enough room for num_children entries.

DESCRIPTION

The dacs_reserve_children service attempts to reserve the requested number of children of the specified type. The actual number reserved may be less than or equal to the number requested. The actual number and list of reserved children is returned to the caller.

RETURN VALUE

The dacs_reserve_children service returns an error indicator defined as:

- **DACS_SUCCESS:** normal return.
- **DACS_ERR_INVALID_ATTR:** invalid flag or enumerated constant.
- **DACS_ERR_INVALID_ADDR:** invalid pointer.
- **DACS_ERR_INVALID_SIZE:** number of children requested must be greater than zero.

SEE ALSO

dacs_get_num_avail_children(3), dacs_release_de_list(3)

dacs_release_de_list

NAME

dacs_release_de_list - Release the reservations for a list of DEs.

SYNOPSIS

DACS_ERR_T dacs_release_de_list (**uint32_t** num_des , **de_id_t** *de_list)

Call parameters

num_des	The number of DEs in the list.
*de_list	A pointer to the list of DEs to release.

DESCRIPTION

The dacs_release_de_list service releases the reservation for the specified list of DEs. On successful return all DEs in the list are released (made available). On failure none of the DEs in the list are released.

RETURN VALUE

The dacs_release_de_list service returns an error indicator defined as:

- **DACS_SUCCESS**: normal return.
- **DACS_ERR_INVALID_ADDR**: invalid pointer.
- **DACS_ERR_INVALID_DE**: the specified DE is either invalid or not reserved.
- **DACS_ERR_RESOURCE_BUSY**: the resource is in use.
- **DACS_ERR_INVALID_SIZE**: invalid list size.

SEE ALSO

dacs_get_num_avail_children(3), dacs_reserve_children(3)

Chapter 6. Process management

This chapter describes the functions for starting, stopping and monitoring processes on DEs.

dacs_de_start

NAME

dacs_de_start - Start a process on a DE.

SYNOPSIS

```
DACS_ERR_T dacs_de_start ( de_id_t de, void *prog, char const **argv, char const **envv, DACS_PROC_CREATION_FLAG_T creation_flags, dacs_process_id_t *pid )
```

Call parameters

de	The target DE where the program will execute.
*prog	A pointer to the program text to execute. What this points to is platform-dependent, and also dependent on the creation_flags parameter.
**argv	A pointer to an array of pointers to argument strings (the argument list), terminated by a NULL pointer.
**envv	A pointer to an array of pointers to environment variable strings (the environment list), terminated by a NULL pointer.
creation_flags	An implementation-specific flag that specifies how the executable program is found. This can be any of: <ul style="list-style-type: none">• DACS_PROC_LOCAL_FILE: a fully qualified pathname,• DACS_PROC_LOCAL_FILE_LIST: a list of fully qualified pathnames,• DACS_PROC_REMOTE_FILE: a fully qualified path on a remote system, or• DACS_PROC_EMBEDDED: the handle of an embedded executable image.

Return parameter

*pid	A pointer to a location where the process id is stored on successful return.
------	--

DESCRIPTION

The dacs_de_start service starts a process on the specified DE. The service can be called several times to start one or more processes on the same DE. The number of processes that can be started on a particular DE is platform and implementation dependent.

RETURN VALUE

The dacs_de_start service returns an error indicator defined as:

- DACS_SUCCESS: normal return.
- DACS_ERR_INVALID_ADDR: a pointer is invalid.

- `DACS_ERR_INVALID_ATTR`: a flag or enumerated constant is invalid.
- `DACS_ERR_NO_RESOURCE`: unable to allocate required resources.
- `DACS_ERR_PROHIBITED`: the operation is prohibited by the implementation.
- `DACS_ERR_INVALID_DE`: the specified DE is either invalid or not reserved.
- `DACS_ERR_INVALID_TARGET`: the operation is not allowed for the target DE.
- `DACS_ERR_PROC_LIMIT`: the maximum number of processes supported has been reached.
- `DACS_ERR_INVALID_PROG`: the specified program could not be executed.
- `DACS_ERR_INVALID_ARGV`: *argv* is too large or invalid.
- `DACS_ERR_INVALID_ENV`: *envv* is too large or invalid.

SEE ALSO

`dacs_num_processes_supported(3)`, `dacs_num_processes_running(3)`,
`dacs_de_wait(3)`, `dacs_de_test(3)`

dacs_num_processes_supported

NAME

dacs_num_processes_supported - Return the number of processes that can be started on a DE.

SYNOPSIS

```
DACS_ERR_T dacs_num_processes_supported ( de_id_t de, uint32_t
*num_processes )
```

Call parameter

de The DE to query.

Return parameter

*num_processes A pointer to a location where the maximum number of processes that can be started on this DE is stored.

Note: In SDK 3.0 only one process is supported per DE.

DESCRIPTION

The dacs_num_processes_supported service returns the number of simultaneous processes that can be started on the specified DE. The target DE must have been reserved by the caller.

RETURN VALUE

The dacs_num_processes_supported service returns an error indicator defined as:

- DACS_SUCCESS: normal return.
- DACS_ERR_INVALID_DE: the specified DE is either invalid or not reserved.
- DACS_ERR_INVALID_ADDR: the pointer is invalid.
- DACS_ERR_INVALID_TARGET: the operation is not allowed for the target de.

SEE ALSO

dacs_de_start(3), dacs_num_processes_running(3), dacs_de_wait(3), dacs_de_test(3)

dacs_num_processes_running

NAME

dacs_num_processes_running - Return the number of processes currently running on a DE.

SYNOPSIS

```
DACS_ERR_T dacs_num_processes_running ( de_id_t de, uint32_t *num_processes )
```

Call parameter

de The DE to query.

Return parameter

*num_processes A pointer to a location where the number of processes currently running on the target DE is stored.

DESCRIPTION

The dacs_num_processes_running service returns the number of processes currently running on the specified DE. This includes all processes that have been started (with dacs_de_start()) and have not yet had their exit status reaped (with dacs_de_test() or dacs_de_wait()). The target DE must have been reserved by the caller.

RETURN VALUE

The dacs_num_processes_running service returns an error indicator defined as:

- **DACS_SUCCESS**: normal return.
- **DACS_ERR_INVALID_DE**: the specified DE is either invalid or not reserved.
- **DACS_ERR_INVALID_ADDR**: the pointer is invalid.
- **DACS_ERR_INVALID_TARGET**: the operation is not allowed for the target de.

SEE ALSO

dacs_de_start(3), dacs_num_processes_supported(3), dacs_de_wait(3), dacs_de_test(3)

dacs_de_wait

NAME

dacs_de_wait - Block the caller waiting for a process running on a DE to finish.

SYNOPSIS

```
DACS_ERR_T dacs_de_wait ( de_id_t de, dacs_process_id_t pid, int32_t
*exit_status )
```

Call parameters

de	The target DE.
pid	The target process.

Return parameter

*exit_status	A pointer to a location where the exit code is stored (if DACS_STS_PROC_FINISHED or DACS_STS_PROC_FAILED) or the signal number (if DACS_STS_PROC_ABORTED).
--------------	--

DESCRIPTION

The dacs_de_wait service returns the status of the target process if it was successful, or an error code if not. If the process is running at the time of the call, the call blocks until it finishes execution. If the process has finished execution at the time of the call, the call does not block.

When this service or dacs_de_test() detects a finished, failed, or aborted status, the status is reaped. Once the status of a process has been reaped, subsequent calls to query its status will fail with DACS_ERR_INVALID_PID.

RETURN VALUE

The dacs_de_wait service returns an error indicator defined as:

- DACS_STS_PROC_FINISHED: the process finished execution without error.
- DACS_STS_PROC_FAILED: the process exited with a failure.
- DACS_STS_PROC_ABORTED: the process terminated abnormally. The platform-specific exception code is returned in *exit_status*. For Linux/UNIX this is the signal number which caused the termination.
- DACS_ERR_INVALID_DE: the specified DE is either invalid or not reserved.
- DACS_ERR_INVALID_PID: the specified PID does not refer to a valid process.
- DACS_ERR_INVALID_TARGET: the operation is not allowed for the target process.
- DACS_ERR_INVALID_ADDR: the pointer is invalid.

SEE ALSO

dacs_de_start(3), dacs_num_processes_supported(3),
dacs_num_processes_running(3), dacs_de_test(3)

dacs_de_test

NAME

dacs_de_test - Test the status of a process.

SYNOPSIS

```
DACS_ERR_T dacs_de_test ( de_id_t de, dacs_process_id_t pid, int32_t *exit_status )
```

Call parameters

de	The target DE.
pid	The target process.

Return parameter

*exit_status	A pointer to a location where the exit code is stored (if DACS_STS_PROC_FINISHED or DACS_STS_PROC_FAILED) or the signal number (if DACS_STS_PROC_ABORTED).
--------------	--

Note: If the return value is DACS_STS_PROC_RUNNING then the exit_status is not modified.

DESCRIPTION

The dacs_de_test service returns the status of the target process, if it was successful, or an error code.

When this service or dacs_de_wait() detects a finished, failed, or aborted status, the status is reaped. Once the status of a process has been reaped, subsequent calls to query its status will fail with DACS_ERR_INVALID_PID.

RETURN VALUE

The dacs_de_test service returns an error indicator defined as:

- DACS_STS_PROC_RUNNING: the process is still running.
- DACS_STS_PROC_FINISHED: the process finished execution without error.
- DACS_STS_PROC_FAILED: the process exited with a failure.
- DACS_STS_PROC_ABORTED: the process terminated abnormally. The platform-specific exception code is returned in *exit_status*. For Linux/UNIX this is the signal number which caused the termination.
- DACS_ERR_INVALID_DE: the specified DE is either invalid or not reserved.
- DACS_ERR_INVALID_PID: the specified PID does not refer to a valid process.
- DACS_ERR_INVALID_TARGET: the operation is not allowed for the target process.
- DACS_ERR_INVALID_ADDR: the pointer is invalid.

SEE ALSO

dacs_de_start(3), dacs_num_processes_supported(3),
dacs_num_processes_running(3), dacs_de_wait(3)

Chapter 7. Group functions

Group functions allow you to organize processes into groups so that they can be treated as a single entity.

Definitions

Group

A group is a collection of related processes that share a common set of resources. A process is an identifiable unit of execution.

A group is referred to by a handle. The handle may be a pointer, offset, index or any other unique identifier of the group.

Group Member

A group member is a process, uniquely identifiable by its DE and PID combination.

The members of a group work together to perform a common task, through the use of shared resources. Being a member of a group requires participation in group activities.

Group design

Membership

In DaCS membership is by invitation only. A process cannot declare itself a member of a group; it must be added by the group creator. This works on the basis that the creator of a group resource knows which processes will be participating in the use of the resource. The member being added to a group must also cooperate by accepting membership, and must make a request to leave a group.

Group Leader/Owner

Groups can only be created on an HE. The HE, by creating a group, implicitly becomes the group owner. This does not imply membership or participation in the group. The group owner is responsible for adding and removing members from the group. It is also responsible for allocating resources to be shared with the group. When the group is no longer needed, and all members have left, the owner then has the responsibility of destroying the group.

Barriers

Certain resources require a group in order to work properly. One such resource is a barrier. Without a known and fixed set of participants barriers cannot work properly. For this reason the concept of groups is necessary.

Barriers provide synchronization of a fixed number of participants. Groups are required in order for the barrier functionality to properly track barrier quora. Barriers are an implied resource associated with being in a group; they are not allocated, initialized, shared or destroyed.

Group usage scenario

Group operations can be classified into three stages: initialization, operation and termination. An example showing the services used in these stages follows.

Initialization

The following steps, in this order, would be used by the group owner and members to create and join a group.

Owner	Members
Create the group: <code>dacs_group_init(&group, flags);</code> This creates an opaque group handle. The handle will then be used by all members during group operations.	
Add members (identified by DE and PID) to the group, one by one: <code>dacs_group_add_member(de, pid, group);</code>	
	Accept their addition, individually: <code>dacs_group_accept(de, pid, group);</code>
(Optional) Add itself to the group: <code>dacs_group_add_member(DACS_DE_SELF, DACS_PID_SELF, group);</code> (This does not require an accept response.)	
Close the initialization of the group: <code>dacs_group_close(group);</code>	

Operation

Group operations are controlled by *barriers*. These are used to synchronize the processing by different members of the group. If it is necessary to ensure that no member enters a new stage of processing before other members are ready then each member must make a wait call. Each member will then be blocked until all members have made this call. When the last member is accounted for, all members will be released.

Owner	Members
	Wait on barrier, individually: <code>dacs_barrier_wait(group);</code>

Termination

The following steps, in this order, would be used by the group owner and members to remove a group.

Owner	Members
Destroy the group: <code>dacs_group_destroy(group);</code>	

Owner	Members
	Leave the group, individually: dacs_group_leave(<i>group</i>);

Group owner functions

dacs_group_init NAME

dacs_group_init - Initialize a DaCS group.

SYNOPSIS

DACS_ERR_T dacs_group_init (**dacs_group_t** **group*, **uint32_t** *flags*)

Call parameter
flags

Flags for group initialization.

Return parameter
**group*

A pointer to a group handle which is filled in upon successful return.

Note: In SDK 3.0 no flags will be supported and the flags value passed in must be zero.

DESCRIPTION

The dacs_group_init service initializes a DaCS group and returns a handle to the group. The calling process is the owner of the group. The owner process is not a member of the group by default, but may add itself as a member.

Note: In SDK 3.0 only an HE can initiate a group.

RETURN VALUE

The dacs_group_init service returns an error indicator defined as:

- **DACS_SUCCESS**: normal return.
- **DACS_ERR_INVALID_ADDR**: the pointer is invalid.
- **DACS_ERR_INVALID_ATTR**: the flag or enumerated constant is invalid.
- **DACS_ERR_NO_RESOURCE**: could not allocate required resources.

SEE ALSO

dacs_group_add_member(3), dacs_group_close(3), dacs_group_destroy(3),
dacs_group_accept(3), dacs_group_leave(3), dacs_barrier_wait(3)

dacs_group_add_member **NAME**

dacs_group_add_member - Add a member to a DaCS group.

SYNOPSIS

```
DACS_ERR_T dacs_group_add_member ( de_id_t de, dacs_process_id_t pid,  
dacs_group_t group )
```

Call parameters

de	The DE ID of the member to add. The group owner may specify a value of DACS_DE_SELF to add itself.
pid	The process ID of the member to add. The group owner may specify a value of DACS_PID_SELF to add itself.
group	The handle of the group to which the new member is to be added.

DESCRIPTION

The dacs_group_add_member service adds the specified de/pid as a member of the specified group. This service can only be called by the process which owns the group. If the owner process is adding itself the service returns immediately. If the member to be added is not the owner of the group this service blocks, waiting for an associated dacs_group_accept() call from the new member.

RETURN VALUE

The dacs_group_add_member service returns an error indicator defined as:

- DACS_SUCCESS: normal return.
- DACS_ERR_INVALID_DE: the specified DE is either invalid or not reserved.
- DACS_ERR_INVALID_PID: the specified PID does not refer to an active process.
- DACS_ERR_INVALID_HANDLE: the group handle does not refer to a valid group.
- DACS_ERR_INVALID_TARGET: this operation is not allowed for the target process.
- DACS_ERR_GROUP_CLOSED: the group is closed.
- DACS_ERR_GROUP_DUPLICATE: the specified process is already a member of the specified group.
- DACS_ERR_NO_RESOURCE: unable to allocate required resources.

SEE ALSO

dacs_group_init(3), dacs_group_close(3), dacs_group_destroy(3),
dacs_group_accept(3), dacs_group_leave(3), dacs_barrier_wait(3)

dacs_group_close

NAME

dacs_group_close - Close a DaCS group.

SYNOPSIS

DACS_ERR_T dacs_group_close (**dacs_group_t** *group*)

Call parameter

group The handle of the group to close.

DESCRIPTION

The `dacs_group_close` service closes the initialization of the specified group. Once closed, new members cannot be added to the group. The specified group must have been initialized with `dacs_group_init()`. This service may only be called by the owner of the group. Group collective operations will block until the group is closed.

RETURN VALUE

The `dacs_group_close` service returns an error indicator defined as:

- `DACS_SUCCESS`: normal return.
- `DACS_ERR_INVALID_HANDLE`: the group handle does not refer to a valid group.
- `DACS_ERR_NOT_OWNER`: the caller is not the owner of the group.
- `DACS_ERR_GROUP_CLOSED`: the group is already closed.

SEE ALSO

`dacs_group_init(3)`, `dacs_group_add_member(3)`, `dacs_group_destroy(3)`,
`dacs_group_accept(3)`, `dacs_group_leave(3)`, `dacs_barrier_wait(3)`

dacs_group_destroy

NAME

dacs_group_destroy - Remove a DaCS group.

SYNOPSIS

DACS_ERR_T dacs_group_destroy (dacs_group_t *group)

Call parameter

*group A pointer to the handle of the group to remove.

DESCRIPTION

The dacs_group_destroy service removes the specified group and invalidates the handle. This service may only be called by the owner of the group, and blocks until all members have left the group. If the calling process is the owner of the group and also a member of the group it is implicitly removed from the group when it is destroyed

RETURN VALUE

The dacs_group_destroy service returns an error indicator defined as:

- DACS_SUCCESS: normal return.
- DACS_ERR_INVALID_ADDR: the pointer is invalid.
- DACS_ERR_INVALID_HANDLE: the group handle does not refer to a valid group.
- DACS_ERR_NOT_OWNER: the caller is not the owner of the group.
- DACS_ERR_GROUP_OPEN: the group has not been closed.

SEE ALSO

dacs_group_init(3), dacs_group_add_member(3), dacs_group_close(3),
dacs_group_accept(3), dacs_group_leave(3), dacs_barrier_wait(3)

Group member functions

Group member functions allow processes to join or leave groups created by other processes.

dacs_group_accept

NAME

dacs_group_accept - Accept membership to a DaCS group.

SYNOPSIS

```
DACS_ERR_T dacs_group_accept ( de_id_t de, dacs_process_id_t pid,  
dacs_group_t *group )
```

Call parameters

de	The DE ID of the group owner.
pid	The process ID of the group owner.

Return parameter

*group	A pointer to the handle of the group to be filled in.
--------	---

DESCRIPTION

The `dacs_group_accept` service accepts membership to a group and returns the group handle. For each `dacs_group_accept()` call there must be an associated `dacs_group_add_member()` call by the owner of the group. This service blocks until the caller has been added to the group by the group owner.

RETURN VALUE

The `dacs_group_accept` service returns an error indicator defined as:

- `DACS_SUCCESS`: normal return.
- `DACS_ERR_INVALID_DE`: the specified DE is either invalid or not reserved.
- `DACS_ERR_INVALID_PID`: the specified pid does not refer to an active process.
- `DACS_ERR_INVALID_ADDR`: the pointer is invalid.
- `DACS_ERR_INVALID_TARGET`: the operation not allowed for the target process.

SEE ALSO

`dacs_group_init(3)`, `dacs_group_add_member(3)`, `dacs_group_close(3)`,
`dacs_group_destroy(3)`, `dacs_group_leave(3)`, `dacs_barrier_wait(3)`

dacs_barrier_wait

NAME

dacs_barrier_wait - Synchronize members of a group.

SYNOPSIS

DACS_ERR_T dacs_barrier_wait (dacs_group_t group)

Call parameter

group The handle of the group with which to synchronize.

DESCRIPTION

The dacs_barrier_wait service blocks the caller on a group barrier until all members in the group have reached the barrier. The caller must be a member of the specified group.

RETURN VALUE

The dacs_barrier_wait service returns an error indicator defined as:

- DACS_SUCCESS: normal return.
- DACS_ERR_INVALID_HANDLE: the group handle does not refer to a valid DaCS group.

SEE ALSO

dacs_group_init(3), dacs_group_add_member(3), dacs_group_close(3),
dacs_group_destroy(3), dacs_group_accept(3), dacs_group_leave(3)

Chapter 8. Data communication

The data communication services transfer data from one process to another. To accommodate transfers across systems with different data representation formats (endian-ness), the services provide an option for byte swapping. The types of byte swapping supported are:

DACS_BYTE_SWAP_DISABLE

no byte-swapping .

DACS_BYTE_SWAP_HALF_WORD

byte-swapping for halfwords (2 bytes).

DACS_BYTE_SWAP_WORD

byte-swapping for words (4 bytes).

DACS_BYTE_SWAP_DOUBLE_WORD

byte-swapping for double words (8 bytes).

Different platforms and implementations may also have different alignment restrictions for the data being transferred. The data communication services will return the `DACS_ERR_NOT_ALIGNED` error code when those alignment restrictions are not met.

Note: On DaCS for Cell BE the services support data transfers of any size other than zero. DaCS enforces no size limit, so the size of transfer that can actually be performed is only restricted by the inherent system limitations. Data transfers that are smaller than 16 bytes must be aligned according to the size of the transfer, rounded down to the nearest power of two at or below the size. Data transfers that are 16 bytes or larger must be 16 byte aligned. For DMA list operations, however, the transfer size for each element must be a multiple of 16.

The data communication services require that the caller specify either the source or destination DE and PID, as appropriate. As a convenience to the programmer, the special values `DACS_DE_PARENT` and `DACS_PID_PARENT` are defined, which can be used to refer to the parent DE and PID respectively. The special values `DACS_DE_SELF` and `DACS_PID_SELF` are also provided for those interfaces where the caller is the target of the operation.

Note: In SDK 3.0 direct communication is only allowed between a parent and its children. Attempts to communicate to a process which is not the parent or child of the initiator will result in an error of `DACS_ERR_INVALID_TARGET`.

Three different data communication models are supported: remote direct memory access (rDMA), message passing, and mailboxes.

Remote Direct Memory Access (rDMA)

Managing Remote Memory.

The remote memory management services provide the means for sharing memory regions with remote processes. A memory region is made available to remote consumers using a *share/accept* model whereby the owner of the memory creates and shares a remote memory handle which is then accepted and used by remote processes.

Note: With the exception of `dacs_remote_mem_query()`, the remote memory handle can only be used on DaCS memory transfer services by the remote processes, and only after they have accepted a share. The owner of the shared memory cannot use these services.

dacs_remote_mem_create

NAME

`dacs_remote_mem_create` - Designate a region in the memory space of the current process for access by remote processes.

SYNOPSIS

```
DACS_ERR_T dacs_remote_mem_create ( void *addr, uint64_t size,  
DACS_MEMORY_ACCESS_MODE_T access_mode, dacs_remote_mem_t *mem )
```

Call parameters

<code>*addr</code>	A pointer to the base address of the memory region to be shared.
<code>size</code>	The size of the memory region in bytes.
<code>access_mode</code>	The access mode to be given to the memory region. This may be: <ul style="list-style-type: none">• <code>DACS_READ_ONLY</code>,• <code>DACS_WRITE_ONLY</code>, or• <code>DACS_READ_WRITE</code>.

Return parameter

<code>*mem</code>	A pointer to a remote memory handle to be filled in.
-------------------	--

DESCRIPTION

The `dacs_remote_mem_create` service creates and returns a handle associated with the given memory region. The returned handle can be used with the `dacs_remote_mem_share()` and `dacs_remote_mem_accept()` services to share and gain access to remote shared memory.

RETURN VALUE

The service `dacs_remote_mem_create` returns an error indicator defined as:

- `DACS_SUCCESS`: normal return.
- `DACS_ERR_INVALID_ADDR`: the pointer is invalid.
- `DACS_ERR_INVALID_ATTR`: the flag or enumerated constant is invalid.
- `DACS_ERR_NO_RESOURCE`: unable to allocate required resources.
- `DACS_ERR_INVALID_SIZE`: a size of zero was requested.

SEE ALSO

`dacs_remote_mem_share(3)`, `dacs_remote_mem_accept(3)`,
`dacs_remote_mem_release(3)`, `dacs_remote_mem_destroy(3)`,
`dacs_remote_mem_query(3)`

dacs_remote_mem_share **NAME**

dacs_remote_mem_share - Pass a memory handle from the current process to a remote process.

SYNOPSIS

```
DACS_ERR_T dacs_remote_mem_share ( de_id_t dst_de, dacs_process_id_t  
dst_pid, dacs_remote_mem_t mem )
```

Call parameters

dst_de	The target DE for the share.
dst_pid	The target process for the share.
mem	The handle of the remote memory to be shared.

DESCRIPTION

The dacs_remote_mem_share service shares the specified remote memory handle from the current process to the remote process specified by dst_de and dst_pid. This service then blocks, waiting for a matching call to the dacs_remote_mem_accept service on the remote side.

RETURN VALUE

The dacs_remote_mem_share service returns an error indicator defined as:

- DACS_SUCCESS: normal return.
- DACS_ERR_INVALID_DE: the specified DE is either invalid or not reserved.
- DACS_ERR_INVALID_PID: the specified PID does not refer to an active process.
- DACS_ERR_INVALID_TARGET: this operation is not allowed for the target process.
- DACS_ERR_INVALID_HANDLE: the remote memory handle is invalid.
- DACS_ERR_NOT_OWNER: this operation is only valid for the owner of the resource.

SEE ALSO

dacs_remote_mem_create(3), dacs_remote_mem_accept(3),
dacs_remote_mem_release(3), dacs_remote_mem_destroy(3),
dacs_remote_mem_query(3)

dacs_remote_mem_accept

NAME

dacs_remote_mem_accept - Accept a memory handle from a remote process.

SYNOPSIS

```
DACS_ERR_T dacs_remote_mem_accept ( de_id_t src_de, dacs_process_id_t  
src_pid, dacs_remote_mem_t *mem )
```

Call parameters

src_de	The source DE which is sharing the remote memory handle.
src_pid	The source process which is sharing the remote memory handle.

Return parameter

*mem	A pointer to the accepted memory handle.
------	--

DESCRIPTION

The dacs_remote_mem_accept service blocks the caller until it receives a remote memory handle from an associated dacs_remote_mem_share() call. The remote memory handle is filled in upon successful return.

RETURN VALUE

The dacs_remote_mem_accept service returns an error indicator defined as:

- DACS_SUCCESS: normal return.
- DACS_ERR_INVALID_DE: the specified DE is either invalid or not reserved.
- DACS_ERR_INVALID_PID: the specified PID does not refer to an active process.
- DACS_ERR_INVALID_TARGET: this operation is not allowed for the target process.
- DACS_ERR_INVALID_ADDR: the pointer is invalid.
- DACS_ERR_NO_RESOURCE: unable to allocate the required resources.

SEE ALSO

dacs_remote_mem_create(3), dacs_remote_mem_share(3),
dacs_remote_mem_release(3), dacs_remote_mem_destroy(3),
dacs_remote_mem_query(3)

dacs_remote_mem_release

NAME

dacs_remote_mem_release - Release a previously accepted remote memory handle.

SYNOPSIS

DACS_ERR_T dacs_remote_mem_release (dacs_remote_mem_t *mem)

Call parameter

*mem A pointer to the remote memory handle.

DESCRIPTION

The dacs_remote_mem_release service releases a previously accepted remote memory object and invalidates the handle. When all accepters have released the object it may be destroyed by its owner. This service does not block.

RETURN VALUE

The dacs_remote_mem_release service returns an error indicator defined as:

- DACS_SUCCESS: normal return.
- DACS_ERR_INVALID_ADDR: the pointer is invalid.
- DACS_ERR_INVALID_HANDLE: the specified handle does not refer to a valid remote memory object.
- DACS_ERR_OWNER: this operation is not valid for the owner of the resource.

SEE ALSO

dacs_remote_mem_create(3), dacs_remote_mem_share(3),
dacs_remote_mem_accept(3), dacs_remote_mem_destroy(3),
dacs_remote_mem_query(3)

dacs_remote_mem_destroy

NAME

dacs_remote_mem_destroy - Invalidate sharing of a specified memory region.

SYNOPSIS

```
DACS_ERR_T dacs_remote_mem_destroy ( dacs_remote_mem_t *mem )
```

Call parameter

*mem A pointer to a remote memory handle.

DESCRIPTION

The dacs_remote_mem_destroy service invalidates the sharing of a specific memory region which has been created by dacs_remote_mem_create(). Only the creator of the memory region may destroy it. This service blocks until all users of the memory region have released it.

RETURN VALUE

The dacs_remote_mem_destroy service returns an error indicator defined as:

- **DACS_SUCCESS**: normal return.
- **DACS_ERR_INVALID_ADDR**: the pointer is invalid.
- **DACS_ERR_INVALID_HANDLE**: the remote memory handle is invalid.
- **DACS_ERR_NOT_OWNER**: this operation is only valid for the owner of the resource.

SEE ALSO

dacs_remote_mem_create(3), dacs_remote_mem_share(3),
dacs_remote_mem_accept(3), dacs_remote_mem_release(3),
dacs_remote_mem_query(3)

dacs_remote_mem_query

NAME

dacs_remote_mem_query - Query the attributes of a remote memory region.

SYNOPSIS

```
DACS_ERR_T dacs_remote_mem_query ( dacs_remote_mem_t mem,  
DACS_REMOTE_MEM_ATTR_T attr, uint64_t *value )
```

Call parameters

mem	The handle of the remote memory area to query.
attr	The attribute to be queried. This may be one of: DACS_REMOTE_MEM_SIZE, DACS_REMOTE_MEM_ADDR, or DACS_REMOTE_MEM_ACCESS_MODE.

Return parameter

*value A pointer to the location where the attribute value is to be returned. The value returned in this location depends on the *attr* parameter passed as shown in the following table.

<i>attr</i>	Value returned
DACS_REMOTE_MEM_ACCESS_MODE	DACS_READ_ONLY, DACS_WRITE_ONLY, or DACS_READ_WRITE.
DACS_REMOTE_MEM_SIZE	A uint64_t value indicating the size of the memory region in bytes.
DACS_REMOTE_MEM_ADDR	A uint64_t value indicating the starting virtual address within the <i>creating</i> process of the memory region.

DESCRIPTION

The dacs_remote_mem_query service queries the attributes of the specified remote memory region. The memory region being queried must have been created or accepted by the caller.

RETURN VALUE

The dacs_remote_mem_query service returns an error indicator defined as:

- DACS_SUCCESS: normal return.
- DACS_ERR_INVALID_ADDR: the pointer is invalid.
- DACS_ERR_INVALID_ATTR: the flag or enumerated constant is invalid.
- DACS_ERR_INVALID_HANDLE: the specified handle is invalid.

SEE ALSO

dacs_remote_mem_create(3), dacs_remote_mem_share(3),
dacs_remote_mem_accept(3), dacs_remote_mem_release(3),
dacs_remote_mem_destroy(3)

rDMA block transfers

The DMA services provide a means to perform direct memory accesses to and from remote memory.

dacs_put

NAME

dacs_put - Initiate a data transfer from local memory to remote memory.

SYNOPSIS

```
DACS_ERR_T dacs_put ( dacs_remote_mem_t dst_remote_mem, uint64_t
dst_remote_mem_offset, void *src_addr, uint64_t size, dacs_wid_t wid,
DACS_ORDER_ATTR_T order_attr, DACS_BYTE_SWAP_T swap )
```

Call parameters

dst_remote_mem	The remote memory handle of the destination buffer.
dst_remote_mem_offset	The offset into the remote buffer where the put is to be performed.
*src_addr	A pointer to the source memory buffer.
size	The size of the transfer.
wid	The communications wait identifier.
order_attr	An ordering attribute. Possible values are: <ul style="list-style-type: none">• DACS_ORDER_ATTR_FENCE: execution of this operation is delayed until all previously issued DMA operations to the same DE using the same wid have completed.• DACS_ORDER_ATTR_BARRIER: execution of this command and all subsequent DMA operations are delayed until all previously issued DMA operations to the same DE using the same wid have completed.• DACS_ORDER_ATTR_NONE: no ordering is enforced.
swap	The little-endian or big-endian byte-swapping flag. Possible values are: <ul style="list-style-type: none">• DACS_BYTE_SWAP_DISABLE,• DACS_BYTE_SWAP_HALF_WORD,• DACS_BYTE_SWAP_WORD or• DACS_BYTE_SWAP_DOUBLE_WORD. See Chapter 8, "Data communication," on page 31 for details.

DESCRIPTION

The dacs_put service initiates data transfer from the caller memory, specified by src_addr, to the target memory, specified by dst_remote_mem and remote_mem_offset. This operation is non-blocking (the call initiates the transfer, but the transfer may continue after the call returns). To ensure that the transfer has completed on the DE, so that the local buffer can be reused or changed, you should issue a call to dacs_wait() or dacs_test() with the same wait identifier.

The target remote memory region must have been previously accepted by the caller with a call to dacs_remote_mem_accept().

Note: The user of the dacs_put() and dacs_get() methods is the process that accepted the memory handle. The owner of the remote memory cannot use these

functions.

RETURN VALUE

The `dacs_put` service returns an error indicator defined as:

- `DACS_SUCCESS`: normal return.
- `DACS_ERR_BUF_OVERFLOW`: the buffer has overflowed - the specified offset or size exceed the bounds of the target buffer.
- `DACS_ERR_NOT_ALIGNED`: the buffer is not aligned correctly for the size of the transfer.
- `DACS_ERR_INVALID_ADDR`: the pointer is invalid.
- `DACS_ERR_INVALID_ATTR`: the flag or enumerated constant is invalid.
- `DACS_ERR_INVALID_SIZE`: the size was zero or not supported by the platform.
- `DACS_ERR_INVALID_WID`: the wait identifier is invalid.
- `DACS_ERR_INVALID_HANDLE`: the remote memory handle is invalid.
- `DACS_ERR_NO_PERM`: the resource attributes do not allow this operation.

SEE ALSO

`dacs_get(3)`, `dacs_put_list(3)`, `dacs_get_list(3)`, `dacs_test(3)`, `dacs_wait(3)`

dacs_get

NAME

dacs_get - Get data from remote memory to local memory.

SYNOPSIS

```
DACS_ERR_T dacs_get ( void *dst_addr, dacs_remote_mem_t src_remote_mem,  
uint64_t src_remote_mem_offset, uint64_t size, dacs_wid_t wid,  
DACS_ORDER_ATTR_T order_attr, DACS_BYTE_SWAP_T swap )
```

Call parameters

<code>*dst_addr</code>	A pointer to the base address of the destination memory buffer.
<code>src_remote_mem</code>	The remote memory handle of the source buffer.
<code>src_remote_mem_offset</code>	The offset into the offset in remote buffer where the get is to start.
<code>size</code>	The size of the transfer.
<code>wid</code>	A communications wait identifier.
<code>order_attr</code>	An ordering attribute. Possible values are: <ul style="list-style-type: none">• <code>DACS_ORDER_ATTR_FENCE</code>: execution of this operation is delayed until all previously issued DMA operations to the same DE using the same <code>wid</code> have completed.• <code>DACS_ORDER_ATTR_BARRIER</code>: execution of this command and all subsequent DMA operations are delayed until all previously issued DMA operations to the same DE using the same <code>wid</code> have completed.• <code>DACS_ORDER_ATTR_NONE</code>: no ordering is enforced.
<code>swap</code>	The little-endian or big-endian byte-swapping flag. Possible values are: <ul style="list-style-type: none">• <code>DACS_BYTE_SWAP_DISABLE</code>,• <code>DACS_BYTE_SWAP_HALF_WORD</code>,• <code>DACS_BYTE_SWAP_WORD</code> or• <code>DACS_BYTE_SWAP_DOUBLE_WORD</code>. See Chapter 8, “Data communication,” on page 31 for details.

DESCRIPTION

The `dacs_get` service returns data from the target memory, specified by `src_remote_mem` and `src_remote_mem_offset`, to the caller memory, specified by `dst_addr`. This operation is non-blocking (the call initiates the transfer, but the transfer may continue after the call returns). To ensure that the transfer has completed you should issue a call to `dacs_wait()` or `dacs_test()` with the same wait identifier.

The target remote memory region must have been previously accepted by the caller using a call to `dacs_remote_mem_accept()`.

Note: The user of the `dacs_put()` and `dacs_get()` methods is the process that accepted the memory handle. The owner of the remote memory cannot use these functions.

RETURN VALUE

The `dacs_get` service returns an error indicator defined as:

- `DACS_SUCCESS`: normal return.
- `DACS_ERR_BUF_OVERFLOW`: the buffer has overflowed - the specified offset and size exceed the bounds of the target buffer.
- `DACS_ERR_NOT_ALIGNED`: the buffer is not aligned properly for its size.
- `DACS_ERR_INVALID_ADDR`: the pointer is invalid.
- `DACS_ERR_INVALID_ATTR`: the flag or enumerated constant is invalid.
- `DACS_ERR_INVALID_SIZE`: the size is zero or not supported by the platform.
- `DACS_ERR_INVALID_WID`: the wait identifier is invalid.
- `DACS_ERR_INVALID_HANDLE`: the remote memory handle is invalid.
- `DACS_ERR_NO_PERM`: the resource attributes do not allow this operation.

SEE ALSO

`dacs_put(3)`, `dacs_put_list(3)`, `dacs_get_list(3)`, `dacs_test(3)`, `dacs_wait(3)`,

rDMA list transfers

The DMA list services enable scatter/gather operations between non-contiguous regions of memory and one contiguous region of memory.

The list services operate on DMA list elements. A list element is defined as a tuple $\{offset, size\}$, where *offset* is a 64-bit offset into the remote memory block, and *size* is the size of the block.

Note: The size of the transfer specified by each list element must be a multiple of 16 bytes and must be 16 byte aligned.

dacs_put_list

NAME

dacs_put_list - Push data from local memory blocks to a remote memory area.

SYNOPSIS

```
DACS_ERR_T dacs_put_list ( dacs_remote_mem_t dst_remote_mem,  
dacs_dma_list_t *dst_dma_list, uint32_t dst_list_size, void *src_addr, dacs_dma_list_t  
*src_dma_list, uint32_t src_list_size, dacs_wid_t wid, DACS_ORDER_ATTR_T  
order_attr, DACS_BYTE_SWAP_T swap )
```

Call parameters

dst_remote_mem	The remote memory handle for the destination buffer.
*dst_dma_list	A pointer to a list of entries describing the transfer locations in the destination buffer.
dst_list_size	The number of elements in the destination DMA list.
src_addr	The base address of the source memory buffer.
*src_dma_list	A pointer to a list of entries describing the transfer locations in the source buffer.
src_list_size	The number of elements in the source DMA list.
wid	The communications wait identifier associated with this transfer.
order_attr	Ordering attribute. Possible values are: <ul style="list-style-type: none">• DACS_ORDER_ATTR_FENCE: execution of this operation is delayed until all previously issued DMA operations to the same DE using the same wid have completed.• DACS_ORDER_ATTR_BARRIER: execution of this operation and all subsequent DMA operations are delayed until all previously issued DMA operations to the same DE using the same wid have completed.• DACS_ORDER_ATTR_NONE: no ordering is enforced.
swap	The little-endian or big-endian byte-swapping flag. Possible values are: <ul style="list-style-type: none">• DACS_BYTE_SWAP_DISABLE,• DACS_BYTE_SWAP_HALF_WORD,• DACS_BYTE_SWAP_WORD or• DACS_BYTE_SWAP_DOUBLE_WORD. See Chapter 8, “Data communication,” on page 31 for details.

DESCRIPTION

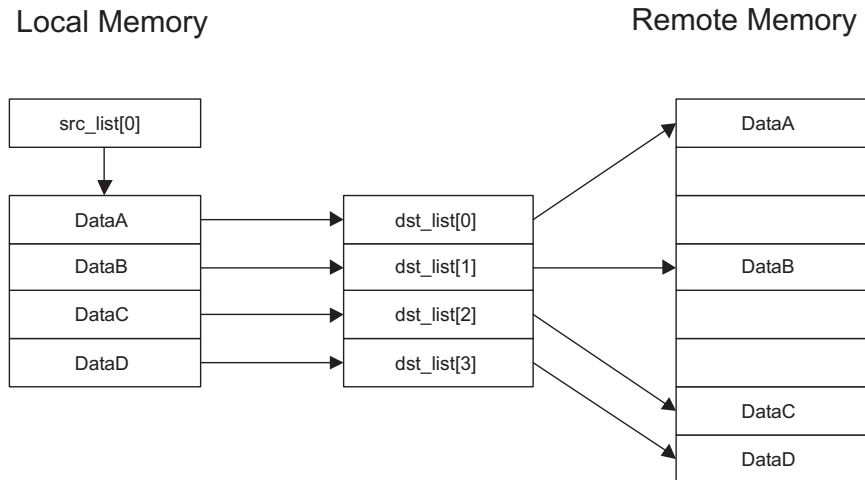
The dacs_put_list service pushes data from the memory blocks specified in the src_dma_list to the remote memory area referenced by the dst_remote_mem handle using the specified dst_dma_list. The interface supports the specification of two DMA lists, one of which must contain a single element. This applies to both *Scatter* (src_list_size=1) and *Gather to Remote* (dst_list_size=1) operations.

The source address for each DMA operation is an effective address formed by the sum of src_addr and the offset specified in each DMA list element. The assumption is that all of the source data is in a contiguous buffer starting at src_addr. For cases where the source data may not be in a contiguous buffer with a known base address, a source address of zero may be specified. In this case the actual address of the data can be used as the offset in the DMA list element.

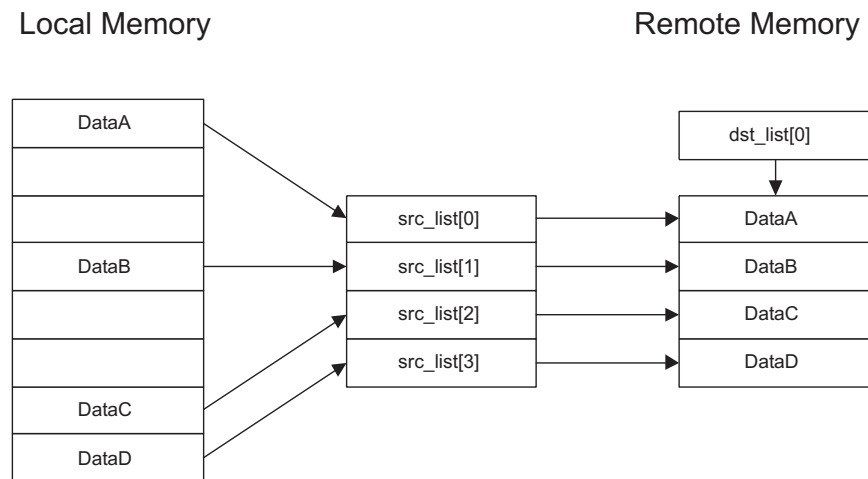
This is an asynchronous service in that the data transfers are only initiated (but not completed) when it returns. To ensure completion of the transfer on this DE you must make a call to `dacs_wait()` or `dacs_test()` with the same wait identifier. This ensures that the local buffers and transfer list parameter can be changed or reused.

The target remote memory region must have been previously accepted by the caller with a call to `dacs_remote_mem_accept()`.

dacs_put_list - Scatter (src_list_size = 1 dst_list_size = 4)



Dacs_put_list - Gather to Remote (src_list_size = 4 dst_list_size = 1)



Put list to a remote memory region with `src_list_size = 1`

RETURN VALUE

The `dacs_put_list` service returns an error indicator defined as:

- `DACS_SUCCESS`: normal return.
- `DACS_ERR_BUF_OVERFLOW`: the buffer has overflowed - the specified offset or size of one or more list elements exceed the bounds of the target buffer.
- `DACS_ERR_NOT_ALIGNED`: the buffer is not aligned correctly for the size of the transfer.
- `DACS_ERR_INVALID_ADDR`: the pointer is invalid.
- `DACS_ERR_INVALID_ATTR`: the flag or enumerated constant is invalid.
- `DACS_ERR_INVALID_SIZE`: the size is zero or not supported by the platform.
- `DACS_ERR_INVALID_WID`: the wait identifier is invalid.
- `DACS_ERR_INVALID_HANDLE`: the remote memory handle is invalid.
- `DACS_ERR_NO_RESOURCE`: unable to allocate required resources.
- `DACS_ERR_NO_PERM`: the resource attributes do not allow this operation.

SEE ALSO

`dacs_put(3)`, `dacs_get(3)`, `dacs_get_list(3)`, `dacs_test(3)`, `dacs_wait(3)`,

dacs_get_list

NAME

dacs_get_list - Get data from a remote memory area and place it in local buffers.

SYNOPSIS

```
DACS_ERR_T dacs_get_list ( void *dst_addr, dacs_dma_list_t *dst_dma_list,  
uint32_t dst_list_size, dacs_remote_mem_t src_remote_mem, dacs_dma_list_t  
*src_dma_list, uint32_t src_list_size, dacs_wid_t wid, DACS_ORDER_ATTR_T  
order_attr, DACS_BYTE_SWAP_T swap )
```

Call parameters

*dst_addr	A pointer to the base address of the destination memory buffer.
*dst_dma_list	A pointer to a list of entries describing transfer locations in the destination buffer.
dst_list_size	The number of elements in the destination DMA list.
src_remote_mem	A handle for the remote source memory buffer.
*src_dma_list	A pointer to a list of entries describing transfer locations in the source buffer.
src_list_size	The number of elements in the source DMA list.
wid	The communication wait identifier associated with this transfer.
order_attr	Ordering attribute. Possible values are: <ul style="list-style-type: none">• DACS_ORDER_ATTR_FENCE: execution of this operation is delayed until all previously issued DMA operations to the same DE using the same wid have completed.• DACS_ORDER_ATTR_BARRIER: execution of this operation and all subsequent DMA operations are delayed until all previously issued DMA operations to the same DE using the same wid have been completed.• DACS_ORDER_ATTR_NONE: no ordering is enforced.
swap	The little-endian or big-endian byte-swapping flag. Possible values are: <ul style="list-style-type: none">• DACS_BYTE_SWAP_DISABLE,• DACS_BYTE_SWAP_HALF_WORD,• DACS_BYTE_SWAP_WORD or• DACS_BYTE_SWAP_DOUBLE_WORD. See Chapter 8, “Data communication,” on page 31 for details.

DESCRIPTION

The dacs_get_list service gets data from the remote memory area referenced by the dst_remote_mem struct, using the specified dma_list, and places it in the buffers specified by dst_dma_list. The interface supports the specification of two DMA lists, one of which must contain a single element. This applies to both *Gather* (dst_list_size=1) and *Scatter to local* (src_list_size=1) operations.

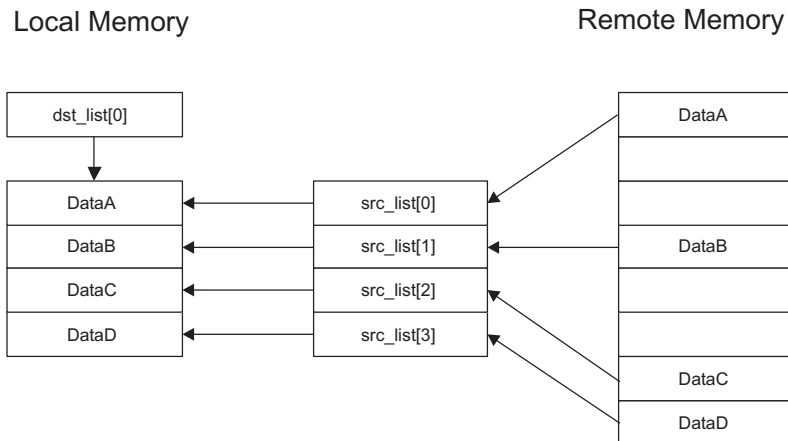
The destination address for each DMA operation is an effective address formed by the sum of dst_addr and the offset specified in each DMA list element. The assumption is that the destination buffers for the data are all within a contiguous buffer starting at dst_addr. For cases where the destination buffers may not be in a contiguous buffer with a known base address, a destination address of zero may

be specified. In this case the actual address of the destination buffer can be used as the offset in the DMA list element.

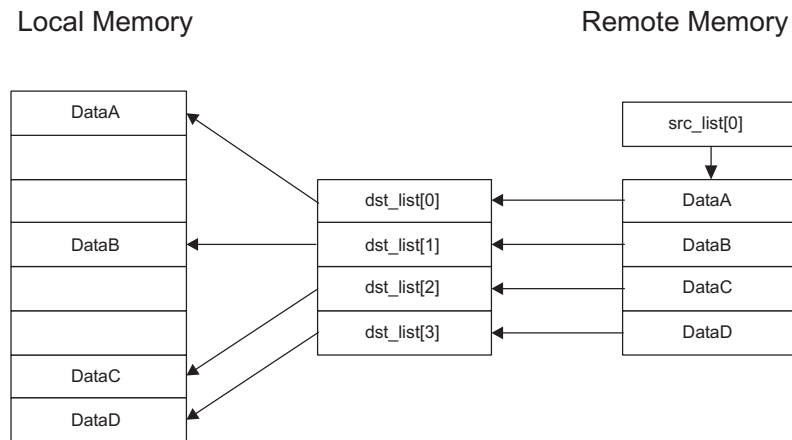
This is an asynchronous service in that the data transfers are only initiated (but not completed) when it returns. To ensure completion of the transfer you should make a call to `dacs_wait()` or `dacs_test()` passing the wait identifier.

The target remote memory region must have been previously accepted by the caller with a call to `dacs_remote_mem_accept()`.

dacs_get_list - Gather (src_list_size = 4 dst_list_size = 1)



dacs_get_list - Scatter to local (src_list_size = 1 dst_list_size = 4)



Get list from a remote memory region with source list size = 1

RETURN VALUE

The `dacs_get_list` service returns an error indicator defined as:

- `DACS_SUCCESS`: normal return.
- `DACS_ERR_BUF_OVERFLOW`: the buffer has overflowed - the specified offset or size of one or more list elements exceed the bounds of the target buffer.
- `DACS_ERR_NOT_ALIGNED`: the buffer is not aligned correctly for the size of the transfer.
- `DACS_ERR_INVALID_ADDR`: the pointer is invalid.
- `DACS_ERR_INVALID_ATTR`: the flag or enumerated constant is invalid.
- `DACS_ERR_INVALID_SIZE`: the size is zero or not supported by the platform.
- `DACS_ERR_INVALID_WID`: the wait identifier is invalid.
- `DACS_ERR_INVALID_HANDLE`: the remote memory handle is invalid.
- `DACS_ERR_NO_RESOURCE`: unable to allocate required resources.
- `DACS_ERR_NO_PERM`: the resource attributes do not allow this operation.

SEE ALSO

`dacs_put(3)`, `dacs_get(3)`, `dacs_put_list(3)`, `dacs_test(3)`, `dacs_wait(3)`,

Message passing

The messaging passing services provide two way communications using the familiar send/rcv model. These services are asynchronous, but can be synchronized using the `dacs_test()` and `dacs_wait()` services as needed.

dacs_send

NAME

dacs_send - send a message to another process

SYNOPSIS

```
DACS_ERR_T dacs_send ( void *src_data, uint32_t size, de_id_t dst_de,  
dacs_process_id_t dst_pid, uint32_t stream, dacs_wid_t wid, DACS_BYTE_SWAP_T  
swap )
```

Call parameters

<i>src_data</i>	A pointer to the beginning of the source (send) message buffer.
<i>size</i>	The size of the message buffer.
<i>dst_de</i>	The message destination DE.
<i>dst_pid</i>	The message destination process.
<i>stream</i>	The identifier of the stream on which the message is to be sent.
<i>wid</i>	A wait identifier.
<i>swap</i>	The little-endian or big-endian byte-swapping flag. Possible values are: <ul style="list-style-type: none">• DACS_BYTE_SWAP_DISABLE,• DACS_BYTE_SWAP_HALF_WORD,• DACS_BYTE_SWAP_WORD or• DACS_BYTE_SWAP_DOUBLE_WORD. See Chapter 8, "Data communication," on page 31 for details.

DESCRIPTION

The dacs_send service asynchronously sends a message to another process. Upon successful return a send operation is either pending or in progress. Use dacs_test() or dacs_wait() to test for completion on this DE, so that the local buffer can be reused or changed.

Note: The size of the buffer at the destination process must be greater than or equal to amount of data sent; otherwise the send operation fails silently. This error will later be reported by dacs_test() or dacs_wait() as DACS_ERR_BUF_OVERFLOW.

RETURN VALUE

The dacs_send service returns an error indicator defined as:

- DACS_SUCCESS: normal return.
- DACS_ERR_INVALID_ADDR: the pointer is invalid.
- DACS_ERR_INVALID_ATTR: the flag or enumerated constant is invalid.
- DACS_ERR_NO_RESOURCE: unable to allocate required resources.
- DACS_ERR_INVALID_DE: the specified DE is either invalid or not reserved.
- DACS_ERR_INVALID_PID: the specified PID does not refer to an active process.
- DACS_ERR_INVALID_TARGET: this operation is not allowed for the target process.
- DACS_ERR_NOT_ALIGNED: the requested data transfer does not have proper alignment for its size.

- `DACS_ERR_INVALID_SIZE`: the size is zero or not supported by the platform.
- `DACS_ERR_INVALID_WID`: the wait identifier is invalid.
- `DACS_ERR_INVALID_STREAM`: the stream identifier is invalid.

SEE ALSO

`dacs_rcv(3)`, `dacs_wait(3)`, `dacs_test(3)`

dacs_rcv

NAME

`dacs_rcv` - receive a message from another process

SYNOPSIS

```
DACS_ERR_T dacs_rcv ( void *dst_data, uint32_t size, de_id_t src_de,
dacs_process_id_t src_pid, uint32_t stream, dacs_wid_t wid, DACS_BYTE_SWAP_T
swap )
```

Call parameters

<i>dst_data</i>	A pointer to the beginning of the destination (receive) data buffer.
<i>size</i>	The size of the message buffer.
<i>src_de</i>	The message source DE.
<i>src_pid</i>	The message source process.
<i>stream</i>	The stream on which to receive the message, or DACS_STREAM_ALL .
<i>wid</i>	A wait identifier.
<i>swap</i>	The little-endian or big-endian byte-swapping flag. Possible values are: <ul style="list-style-type: none"> • <code>DACS_BYTE_SWAP_DISABLE</code>, • <code>DACS_BYTE_SWAP_HALF_WORD</code>, • <code>DACS_BYTE_SWAP_WORD</code> or • <code>DACS_BYTE_SWAP_DOUBLE_WORD</code>. See Chapter 8, "Data communication," on page 31 for details.

Return parameter

<i>dst_data</i>	The pointer to the received data buffer.
-----------------	--

DESCRIPTION

The `dacs_rcv` service asynchronously receives a message from another process. Upon successful return a receive operation is either pending or in progress. You should use `dacs_test()` or `dacs_wait()` to test for completion.

The number of bytes sent by the source process must be less than or equal to the local buffer size, otherwise the receive operation fails.

Stream identifiers are used to select messages for reception. A message will be received if the stream identifier of the message matches the stream identifier specified to `dacs_rcv()`, or if `DACS_STREAM_ALL` is specified. Stream identifier values must be between 0 and `DACS_STREAM_UB` inclusive.

The swap flag must be the same at both ends of the transfer. If not the completion test (`dacs_test()` or `dacs_wait()`) will fail with `DACS_ERR_BYTESWAP_MISMATCH`, and no data is transferred.

RETURN VALUE

The `dacs_recv` service returns an error indicator defined as:

- `DACS_SUCCESS`: normal return.
- `DACS_ERR_INVALID_ADDR`: the pointer is invalid.
- `DACS_ERR_INVALID_ATTR`: the flag or enumerated constant is invalid.
- `DACS_ERR_NO_RESOURCE`: unable to allocate required resources.
- `DACS_ERR_INVALID_DE`: the specified DE is either invalid or not reserved.
- `DACS_ERR_INVALID_PID`: the specified PID does not refer to an active process.
- `DACS_ERR_INVALID_TARGET`: this operation is not allowed for the target process.
- `DACS_ERR_NOT_ALIGNED`: the buffer is not aligned properly for the size of the transfer.
- `DACS_ERR_INVALID_SIZE`: the size is zero or not supported by the platform.
- `DACS_ERR_INVALID_WID`: the wait identifier is invalid.
- `DACS_ERR_INVALID_STREAM`: the stream identifier is invalid.

SEE ALSO

`dacs_send(3)`, `dacs_wait(3)`, `dacs_test(3)`

Mailboxes

The mailbox services provide a simple method of passing a single 32-bit unsigned word between processes. These services use a blocking read/write model. The mailbox is a FIFO queue with an implementation-specific depth.

Mailboxes are between a host (parent) and an accelerator process (DE id and Pid). Each mailbox has two sets of slots. One set is written to by the host and read by the accelerator process, and the other is written to by the accelerator process and read by the host. A host with a single accelerator running a single process will have one mailbox with 4 slots in each set. A host with two accelerators, each running a single process, will have two mailboxes each with 4 slots in each set. Thus the host will have 4 slots in one mailbox for mail coming from one accelerator process and 4 slots in another mailbox for mail coming from the other accelerator process.

Note: Byte-swapping is done automatically if required. A DE cannot write to its own mailbox and can only read from its own mailbox. Any attempt to do otherwise returns an error.

The mailbox depth is limited to 4 (host) and 4 (accelerator).

dacs_mailbox_write

NAME

dacs_mailbox_write - Send a single variable to another process.

SYNOPSIS

```
DACS_ERR_T dacs_mailbox_write ( uint32_t *msg, de_id_t dst_de,  
dacs_process_id_t dst_pid)
```

Call parameters

<i>*msg</i>	A pointer to the message to write.
<i>dst_de</i>	The message destination DE.
<i>dst_pid</i>	The destination process id.

DESCRIPTION

The dacs_mailbox_write service writes a single 32-bit unsigned integer to the specified target mailbox. There are an number of mailbox slots for each process; this number is defined by the implementation. If the destination has an empty mailbox slot this service returns immediately. Otherwise this service blocks until a slot becomes available.

RETURN VALUE

The dacs_mailbox_write service returns an error indicator defined as:

- DACS_SUCCESS: normal return.
- DACS_ERR_INVALID_ADDR: the pointer is invalid.
- DACS_ERR_INVALID_DE: the specified DE is either invalid or not reserved.
- DACS_ERR_INVALID_PID: the specified PID does not refer to an active process.
- DACS_ERR_INVALID_TARGET: this operation is not allowed for the target process.

SEE ALSO

dacs_mailbox_read(3), dacs_mailbox_test(3)

dacs_mailbox_read

NAME

dacs_mailbox_read - Receive a single variable from another process.

SYNOPSIS

```
DACS_ERR_T dacs_mailbox_read ( uint32_t *msg, de_id_t src_de,  
dacs_process_id_t src_pid)
```

Call parameters

<i>src_de</i>	The message source DE.
<i>src_pid</i>	The message source process.

Return parameter

<i>*msg</i>	A pointer to the message received.
-------------	------------------------------------

DESCRIPTION

The dacs_mailbox_read service reads a single 32-bit unsigned integer from the specified source mailbox. There are a number of mailbox slots for each process; this number is defined by the implementation. If the source does not have any pending mailbox messages this service call blocks until one arrives.

RETURN VALUE

The dacs_mailbox_read service returns an error indicator defined as:

- DACS_SUCCESS: normal return.
- DACS_ERR_INVALID_ADDR: the pointer is invalid.
- DACS_ERR_INVALID_DE: the specified DE is either invalid or not reserved.
- DACS_ERR_INVALID_PID: the specified PID does not refer to an active process.
- DACS_ERR_INVALID_TARGET: operation not allowed for the target process.

SEE ALSO

dacs_mailbox_write(3), dacs_mailbox_test(3)

dacs_mailbox_test

NAME

dacs_mailbox_test - Test if a mailbox access will succeed.

SYNOPSIS

```
DACS_ERR_T dacs_mailbox_test ( DACS_TEST_MAILBOX_T rw_flag, de_id_t
de, dacs_process_id_t pid, int32_t *mbox_status)
```

Call parameters

rw_flag

Flag to indicate which mailbox to test:

- **DACS_TEST_MAILBOX_READ**: test the read mailbox to see if a call to **dacs_mailbox_read()** will block, or
- **DACS_TEST_MAILBOX_WRITE**: test the write mailbox to see if a call to **dacs_mailbox_write()** will block.

de

The DE owning the mailbox to test.

pid

The process owning the mailbox to test

Return parameter

**mbox_status*

A pointer to the location where the mailbox status is returned. The contents are:

- set to zero if the mailbox will block, or
- set to non-zero if the mailbox will not block.

DESCRIPTION

The dacs_mailbox_test service allows the programmer to test if the mailbox will block before calling dacs_mailbox_read() or dacs_mailbox_write().

RETURN VALUE

The dacs_mailbox_test service returns an error indicator defined as:

- **DACS_SUCCESS**: normal return.
- **DACS_ERR_INVALID_ADDR**: the pointer is invalid.
- **DACS_ERR_INVALID_ATTR**: the flag or enumerated constant is invalid.
- **DACS_ERR_INVALID_DE**: the specified DE is either invalid or not reserved.
- **DACS_ERR_INVALID_PID**: the specified PID does not refer to an active process.
- **DACS_ERR_INVALID_TARGET**: this operation is not allowed for the target process.

SEE ALSO

dacs_mailbox_read(3), dacs_mailbox_write(3)

Chapter 9. Wait identifier management services

These services are intended to manage wait identifiers (WIDs), which are used to synchronize data communication. A WID is required for the data communication services, and is used to test for completion of asynchronous data transfers.

dacs_wid_reserve

NAME

dacs_wid_reserve - Reserve a wait identifier.

SYNOPSIS

```
DACS_ERR_T dacs_wid_reserve ( dacs_wid_t *wid )
```

Return parameter

**wid* A pointer to the reserved wait identifier.

DESCRIPTION

The dacs_wid_reserve service reserves a wait identifier.

RETURN VALUE

The dacs_wid_reserve service returns an error indicator defined as:

- `DACS_SUCCESS`: normal return.
- `DACS_ERR_INVALID_ADDR`: the pointer is invalid.
- `DACS_ERR_NO_WIDS`: no wait identifiers are available.

SEE ALSO

dacs_wid_release(3)

dacs_wid_release

NAME

dacs_wid_release - Release a reserved wait identifier.

SYNOPSIS

DACS_ERR_T dacs_wid_release (dacs_wid_t **wid*)

Call parameter

**wid*

A pointer to the wait identifier to be released.

DESCRIPTION

The dacs_wid_release service releases the reserved wait identifier. If a data transfer using the wait identifier is still active, an error is returned and the wait identifier is not released.

RETURN VALUE

The dacs_wid_release service returns an error indicator defined as:

- DACS_SUCCESS: normal return; the wait identifier was invalidated.
- DACS_ERR_INVALID_ADDR: the pointer is invalid.
- DACS_ERR_WID_ACTIVE: a data transfer involving the wait identifier is still active.
- DACS_ERR_INVALID_WID: the specified wait identifier is not reserved.

SEE ALSO

dacs_wid_reserve(3)

Chapter 10. Transfer completion

A wait identifier is reserved and assigned to a data communication operation when it is started. These routines test the wait identifier to see if the communication operation has completed.

dacs_test

NAME

dacs_test - Test if communication operations have finished on this DE so the parameters can be changed or reused.

SYNOPSIS

```
DACS_ERR_T dacs_test ( dacs_wid_t wid )
```

Call parameter

wid

A communication wait identifier

DESCRIPTION

The dacs_test service checks the data transfers for the given communication wait identifier and returns their status.

RETURN VALUE

The dacs_test service returns an error indicator defined as:

- DACS_WID_READY: all data transfers have completed.
- DACS_WID_BUSY: one or more data transfers have not completed.
- DACS_ERR_WID_NOT_ACTIVE: there are no outstanding transfers to test.
- DACS_ERR_INVALID_WID: the specified wait identifier is invalid.
- DACS_ERR_BYTESWAP_MISMATCH: the Little-endian / Big-endian architectures at the ends of the transfer are incompatible.
- DACS_ERR_BUF_OVERFLOW: the data to be transferred is too large for the receive buffer.

SEE ALSO

dacs_wait(3), dacs_put(3), dacs_get(3), dacs_put_list(3), dacs_get_list(3)

dacs_wait

NAME

dacs_wait - Wait for communication operations to finish on this DE so the parameters can be changed or reused.

SYNOPSIS

`DACS_ERR_T dacs_wait (dacs_wid_t wid)`

Call parameter

wid A communication wait identifier

DESCRIPTION

The `dacs_wait` service blocks the caller, waiting for outstanding data transfers for the given wait identifier to complete. It returns when all outstanding transfers are finished. If one or more of the transfers fails, the first failure encountered is reported.

RETURN VALUE

The `dacs_wait` service returns an error indicator defined as:

- `DACS_WID_READY`: all data transfers have completed.
- `DACS_ERR_WID_NOT_ACTIVE`: there are no outstanding transfers to test.
- `DACS_ERR_INVALID_WID`: the specified wait identifier is invalid.
- `DACS_ERR_BYTESWAP_MISMATCH`: the Little-endian / Big-endian architectures at the ends of the transfer are incompatible.
- `DACS_ERR_BUF_OVERFLOW`: the data to be transferred is too large for the receive buffer.

SEE ALSO

`dacs_test(3)`, `dacs_put(3)`, `dacs_get(3)`, `dacs_put_list(3)`, `dacs_get_list(3)`

Chapter 11. Locking Primitives

Shared data accesses can be serialized with DaCS by using a **mutual exclusion** primitive (mutex) to protect critical sections. A mutex can be hosted on any DE memory space and can be local or remote relative to the process calling these services.

The significant features of a mutex are:

- the mutex is not recursive,
- it is held by a particular DE/PID and that DE/PID is the only one that can unlock it, and
- the lock is not thread based within the DE/PID. Any thread in the locking DE/PID can unlock the mutex.

The services which process a mutex fall into two categories:

mutex management services, for managing the mutex shared resource, which include `dacs_mutex_init()`, `dacs_mutex_share()`, `dacs_mutex_accept()`, `dacs_mutex_release()` and `dacs_mutex_destroy()`, and

mutex locking services, for locking and unlocking a mutex, which include `dacs_mutex_lock()`, `dacs_mutex_unlock()` and `dacs_mutex_try_lock()`.

dacs_mutex_init

NAME

dacs_mutex_init - Initialize a mutual exclusion variable.

SYNOPSIS

`DACS_ERR_T dacs_mutex_init (dacs_mutex_t *mutex)`

Return parameter

*mutex A pointer to a newly initialized mutex handle.

DESCRIPTION

The `dacs_mutex_init` service initializes a mutual exclusion variable and returns a handle to it.

RETURN VALUE

The `dacs_mutex_init` service returns an error indicator defined as:

- `DACS_SUCCESS`: normal return.
- `DACS_ERR_INVALID_ADDR`: the pointer is invalid.
- `DACS_ERR_NO_RESOURCE`: unable to allocate required resources.

SEE ALSO

`dacs_mutex_share(3)`, `dacs_mutex_accept(3)`, `dacs_mutex_lock(3)`,
`dacs_mutex_try_lock(3)`, `dacs_mutex_unlock(3)`, `dacs_mutex_release(3)`,
`dacs_mutex_destroy(3)`

dacs_mutex_share

NAME

dacs_mutex_share - Share a mutual exclusion variable with a remote process.

SYNOPSIS

```
DACS_ERR_T dacs_mutex_share ( de_id_t dst_de, dacs_process_id_t dst_pid,  
dacs_mutex_t mutex )
```

Call parameters

dst_de	The target DE for the share.
dst_pid	The target process for the share.
mutex	The handle of the mutex that is to be shared.

DESCRIPTION

The dacs_mutex_share service shares the specified mutual exclusion variable between the current process and the remote process specified by `dst_de` and `dst_pid`. This service blocks the caller, waiting for the remote process to call `dacs_mutex_accept()` to accept the mutex.

RETURN VALUE

The dacs_mutex_share service returns an error indicator defined as:

- `DACS_SUCCESS`: normal return; sharing succeeded.
- `DACS_ERR_INVALID_DE`: the specified DE is either invalid or not reserved.
- `DACS_ERR_INVALID_PID`: the specified PID does not refer to an active process.
- `DACS_ERR_INVALID_TARGET`: this operation is not allowed for the target process.
- `DACS_ERR_INVALID_HANDLE`: the specified mutex handle is not valid.

SEE ALSO

`dacs_mutex_init(3)`, `dacs_mutex_accept(3)`, `dacs_mutex_lock(3)`,
`dacs_mutex_try_lock(3)`, `dacs_mutex_unlock(3)`, `dacs_mutex_release(3)`,
`dacs_mutex_destroy(3)`

dacs_mutex_accept

NAME

dacs_mutex_accept - Receive a share on a mutual exclusion variable from a remote process.

SYNOPSIS

```
DACS_ERR_T dacs_mutex_accept ( de_id_t src_de, dacs_process_id_t src_pid,  
dacs_mutex_t *mutex )
```

Call parameters

src_de	The source DE which is sharing the mutex handle.
src_pid	The source PID which is sharing the mutex handle.

Return parameter

*mutex	A pointer to the handle of the accepted mutex.
--------	--

DESCRIPTION

The dacs_mutex_accept service receives a mutual exclusion variable from a remote process. The service blocks until the remote process shares the mutex with a call to dacs_mutex_share().

RETURN VALUE

The dacs_mutex_accept service returns an error indicator defined as:

- DACS_SUCCESS: normal return.
- DACS_ERR_INVALID_ADDR: the pointer is invalid.
- DACS_ERR_INVALID_DE: the specified DE is either invalid or not reserved.
- DACS_ERR_INVALID_PID: the specified PID does not refer to an active process.
- DACS_ERR_INVALID_TARGET: this operation is not allowed for the target process.

SEE ALSO

dacs_mutex_init(3), dacs_mutex_share(3), dacs_mutex_lock(3),
dacs_mutex_try_lock(3), dacs_mutex_unlock(3), dacs_mutex_release(3),
dacs_mutex_destroy(3)

dacs_mutex_lock

NAME

dacs_mutex_lock - Acquire a lock on a mutual exclusion variable.

SYNOPSIS

DACS_ERR_T dacs_mutex_lock (dacs_mutex_t *mutex*)

Call parameter

mutex The handle of the mutex to lock.

DESCRIPTION

The dacs_mutex_lock service acquires the specified mutex. The caller must either be the owner of the mutex, or have previously accepted the mutex with a call to dacs_mutex_accept(). This service blocks the caller until the mutex is acquired.

RETURN VALUE

The dacs_mutex_lock service returns an error indicator defined as:

- DACS_SUCCESS: normal return; lock succeeded.
- DACS_ERR_INVALID_HANDLE: the specified mutex handle is not valid.

SEE ALSO

dacs_mutex_init(3), dacs_mutex_share(3), dacs_mutex_accept(3),
dacs_mutex_try_lock(3), dacs_mutex_unlock(3), dacs_mutex_release(3),
dacs_mutex_destroy(3)

dacs_mutex_try_lock

NAME

`dacs_mutex_try_lock` - Attempt to acquire a lock on a mutual exclusion variable.

SYNOPSIS

`DACS_ERR_T dacs_mutex_try_lock (dacs_mutex_t mutex)`

Call parameter

`mutex` The handle of the mutex to lock.

DESCRIPTION

The `dacs_mutex_try_lock` service attempts to acquire a lock on a mutex. The caller must either be the owner of the mutex, or have previously accepted the mutex with a call to `dacs_mutex_accept()`. If the mutex is available for locking, this service gets the lock and returns. If a lock on the mutex is not available, this method returns with a `DACS_ERR_MUTEX_BUSY` status.

RETURN VALUE

The `dacs_mutex_try_lock` service returns an error indicator defined as:

- `DACS_SUCCESS`: normal return; lock was acquired.
- `DACS_ERR_MUTEX_BUSY`: the mutex is not available.
- `DACS_ERR_INVALID_HANDLE`: the specified mutex handle is not valid.

SEE ALSO

`dacs_mutex_init(3)`, `dacs_mutex_share(3)`, `dacs_mutex_accept(3)`,
`dacs_mutex_lock(3)`, `dacs_mutex_unlock(3)`, `dacs_mutex_release(3)`,
`dacs_mutex_destroy(3)`

dacs_mutex_unlock

NAME

dacs_mutex_unlock - Unlock a mutual exclusion variable.

SYNOPSIS

```
DACS_ERR_T dacs_mutex_unlock ( dacs_mutex_t mutex )
```

Call parameter

mutex The handle of the mutex to unlock.

DESCRIPTION

The `dacs_mutex_unlock` service unlocks a mutex. The caller must either be the owner of the mutex, or have previously accepted the mutex with a call to `dacs_mutex_accept()`.

RETURN VALUE

The `dacs_mutex_unlock` service returns an error indicator defined as:

- `DACS_SUCCESS`: normal return; unlock succeeded.
- `DACS_ERR_INVALID_HANDLE`: the specified mutex handle is not valid.

SEE ALSO

`dacs_mutex_init(3)`, `dacs_mutex_share(3)`, `dacs_mutex_accept(3)`,
`dacs_mutex_lock(3)`, `dacs_mutex_try_lock(3)`, `dacs_mutex_release(3)`,
`dacs_mutex_destroy(3)`

dacs_mutex_release

NAME

dacs_mutex_release - Release a mutual exclusion variable.

SYNOPSIS

DACS_ERR_T dacs_mutex_release (dacs_mutex_t *mutex)

Call parameter

*mutex

A pointer to the handle of the mutex to release.

DESCRIPTION

The dacs_mutex_release service releases a previously accepted mutex object and invalidates the handle. When all accepters have released the mutex, it may be destroyed by its owner. This service does not block.

The release will succeed whether or not the mutex is held by the caller.

RETURN VALUE

The dacs_mutex_release service returns an error indicator defined as:

- DACS_SUCCESS: normal return.
- DACS_ERR_INVALID_ADDR: the pointer is invalid.
- DACS_ERR_INVALID_HANDLE: the specified mutex handle is invalid.
- DACS_ERR_OWNER: this operation is not allowed for the owner of the resource.

SEE ALSO

dacs_mutex_init(3), dacs_mutex_share(3), dacs_mutex_accept(3),
dacs_mutex_lock(3), dacs_mutex_try_lock(3), dacs_mutex_unlock(3),
dacs_mutex_destroy(3)

dacs_mutex_destroy

NAME

dacs_mutex_destroy - Destroy a mutual exclusion variable.

SYNOPSIS

```
DACS_ERR_T dacs_mutex_destroy ( dacs_mutex_t *mutex )
```

Call parameter

mutex	A pointer to the handle of the mutex to destroy.
-------	--

DESCRIPTION

The `dacs_mutex_destroy` service destroys the specified mutex and invalidates the handle. This service blocks until all users of the mutex have released it. The mutex may only be destroyed by the process that initialized it (the owner).

The destroy will succeed whether or not the mutex is held by its owner.

RETURN VALUE

The `dacs_mutex_destroy` service returns an error indicator defined as:

- `DACS_SUCCESS`: normal return.
- `DACS_ERR_INVALID_ADDR`: the pointer is invalid.
- `DACS_ERR_INVALID_HANDLE`: the specified mutex handle is invalid.
- `DACS_ERR_NOT_OWNER`: this operation is only valid for the owner of the resource.

SEE ALSO

`dacs_mutex_init(3)`, `dacs_mutex_share(3)`, `dacs_mutex_accept(3)`,
`dacs_mutex_lock(3)`, `dacs_mutex_try_lock(3)`, `dacs_mutex_unlock(3)`,
`dacs_mutex_release(3)`

Chapter 12. Error handling

DaCS provides support for registration of user-created error handlers which are called under certain error conditions. The error handlers can be called for synchronous or asynchronous errors.

In SDK 3.0 any synchronous error reported to the error handlers will cause the process to abort. This will happen when DaCS has detected a fatal error from which it cannot recover. Asynchronous errors include child failures (host process) and termination requests from a parent (accelerator process). Abnormal child termination will cause the parent to abort after calling all registered error handlers.

A normal child exit with a non-zero status will be reported asynchronously to the error handlers, but will not cause the process to abort. This allows the parent process to determine if the non-zero exit represents an error condition.

When it is called a user error handler is passed an error object describing the error, which can be inspected using services provided. The error object contains the DE and PID of the failing process. These can be used to call `dacs_de_test()` to reap its status and so allow another process to be started on that DE.

The DaCS library uses the SIGTERM signal for handling asynchronous errors and termination requests. A dedicated error handling thread is created in `dacs_runtime_init()` for this purpose. Applications using the DaCS library should not create any application threads before calling `dacs_runtime_init()`, and no application thread should unmask this signal.

User error handler example

User error handler registration

For this example we're going to create a user error handler called `my_errhandler`. Once this has been defined we can register the user error handler using the `dacs_errhandler_reg` API:

```
dacs_rc= dacs_errhandler_reg((dacs_error_handler_t)&my_errhandler,0);
```

Note: If the address of `my_errhandler` is not passed or the cast to `dacs_error_handler_t` is omitted the compiler will produce warnings.

User error handler code:

```
/******  
Example of a user error handler  
This includes invocations of additional functions of  
the passed "dacs_error_t" error parameter  
*****/  
int my_errhandler(dacs_error_t error){  
    /*need local variables for passback of values */  
    DACS_ERR_T dacs_rc=0;  
    DACS_ERR_T dacs_error_rc;//hold code for error  
    de_id_t de=0;  
    dacs_process_id_t pid=0;  
    uint32_t code = 0;  
    const char * error_string;  
  
    /* Get the DACS_ERR_T in the error to learn what happened */
```

```

printf("\n\n--in my_dacs_errhandler\n");
dacs_error_rc=dacs_rc=dacs_error_num(error);
printf(" dacs_error_num indicates DACS_ERR_T=%d %s\n",
      dacs_rc,dacs_strerror(dacs_rc));

/* Get the exit code in the error to learn what happened */
dacs_rc=dacs_error_code(error,&code);
if(dacs_rc){//if error invoking dacs_error_code
  printf(" dacs_error_code call had error DACS_ERR_T=%d %s\n",
        dacs_rc,dacs_strerror(dacs_rc));
}
else {
  if (DACS_STS_PROC_ABORTED==dacs_error_rc){
    printf(" dacs_error_code signal signal=%d ",code);
  }
  else if (DACS_STS_PROC_FAILED==dacs_error_rc){
    printf(" dacs_error_code exit code=%d\n",code);
  }
  else{//else reason is different than aborted or failed
    printf(" dacs_error_code exit/signal code=%d\n",code);
  }
}

/* Get the error string in the error to learn what happened */
dacs_rc=dacs_error_str(error,&error_string);
if(dacs_rc){//if error invoking dacs_error_str
  printf(" dacs_error_str call had error DACS_ERR_T=%d %s\n",
        dacs_rc,dacs_strerror(dacs_rc));
}
else {
  printf(" dacs_error_str=%s\n",error_string);
}

/* what DE had this error ? */
dacs_rc=dacs_error_de(error,&de);
if(dacs_rc){//if error invoking dacs_error_de
  printf(" dacs_error_de call had error DACS_ERR_T=%d %s\n",
        dacs_rc,dacs_strerror(dacs_rc));
}
else {
  printf(" dacs_error_de=%08x\n",de);
}

/* what was the dacs_process_id_t? */
dacs_rc=dacs_error_pid(error,&pid);
if(dacs_rc){//if error invoking dacs_error_pid
  printf(" dacs_error_pid call had error"
        "DACD_ERR_T=%d %s\n",dacs_rc,dacs_strerror(dacs_rc));
}
else {
  printf(" dacs_error_pid=%ld\n",pid);
}
printf("exiting user error handler\n\n");
return 0;//in SDK 3.0, return value is ignored
}

```

User error handler output

Example output if the accelerator program exits with a return code of 9:

```

--in my_dacs_errhandler
dacs_error_num indicates DACS_ERR_T=4 DACS_STS_PROC_FAILED
dacs_error_code exit code=9
dacs_error_str=DACS_STS_PROC_FAILED
dacs_error_de=01020200
dacs_error_pid=5503
exiting user error handler

```

Example output if the accelerator program aborts:

```
--in my_dacs_errhandler
dacs_error_num indicates DACS_ERR_T=5 DACS_STS_PROC_ABORTED
dacs_error_code signal signal=6 dacs_error_str=DACS_STS_PROC_ABORTED
dacs_error_de=01020200
dacs_error_pid=5894
exiting user error handler
```

dacs_errhandler_reg

NAME

dacs_errhandler_reg - Register an error handler to be called when an asynchronous or fatal error occurs.

SYNOPSIS

DACS_ERR_T dacs_errhandler_reg (dacs_error_handler_t handler, uint32_t flags)

Call parameters

handler	A pointer to an error handling function. This function will be passed the error object containing the error information, and returns a boolean indicating whether termination is requested or not. For fatal internal errors the process will be terminated without consideration for the handler's return value.
flags	Flags for error handling options. Note: In SDK 3.0 no flags are supported; the flags value passed in must be 0 (zero).

The prototype of the handler is:

```
int (*dacs_error_handler_t)( dacs_error_t error )
```

The user-registered handler must accept a handle to an error object, and return 1 (one) or 0 (zero) to indicate whether the error is deemed fatal or not.

DESCRIPTION

The dacs_errhandler_reg service registers an error handler. This handler will then be called whenever an asynchronous DaCS process fails, or a synchronous DaCS process encounters a fatal error.

Note: In SDK 3.0 the return value from the user handler will be ignored in all cases.

Note: If the error handler is coded in the form

```
int my_errhandler(dacs_error_t error)
```

then write the registration as

```
dacs_rc=dacs_errhandler_reg((dacs_error_handler_t)&my_errhandler,0);
```

where dacs_rc has been declared as a variable of type DACS_ERROR_T.

RETURN VALUE

The `dacs_errhandler_reg` service returns an error indicator defined as:

- `DACS_SUCCESS`: normal return.
- `DACS_ERR_INVALID_ADDR`: the pointer is invalid.
- `DACS_ERR_INVALID_ATTR`: the flag or enumerated constant is invalid.
- `DACS_ERR_NO_RESOURCE`: unable to allocate required resources.

SEE ALSO

`dacs_strerror(3)`, `dacs_error_num(3)`, `dacs_error_code(3)`, `dacs_error_str(3)`,
`dacs_error_de(3)`, `dacs_error_pid(3)`

dacs_strerror

NAME

`dacs_strerror` - Return a pointer to a string describing an error.

SYNOPSIS

```
const char * dacs_strerror ( DACS_ERR_T errcode )
```

Call parameter

`errcode`

An error code that was returned by a DaCS API.

DESCRIPTION

The `dacs_strerror` service returns a pointer to the error string for the given error code. The input error code can be any error returned by the DaCS API.

RETURN VALUE

The `dacs_strerror` service returns the error string for the given error code, or `NULL` if no string was found.

SEE ALSO

`dacs_errhandler_reg(3)`, `dacs_error_num(3)`, `dacs_error_code(3)`, `dacs_error_str(3)`,
`dacs_error_de(3)`, `dacs_error_pid(3)`

dacs_error_num

NAME

`dacs_error_num` - Return the error code for the specified error handle.

SYNOPSIS

`DACS_ERR_T dacs_error_num (dacs_error_t error)`

Call parameter

`error`

An error handle.

DESCRIPTION

The `dacs_error_num` service returns the error code associated with the specified error handle.

RETURN VALUE

The `dacs_error_num` service returns a DaCS error code, or `DACS_ERR_INVALID_HANDLE` if the given handle does not refer to a valid error object.

SEE ALSO

`dacs_errhandler_reg(3)`, `dacs_strerror(3)`, `dacs_error_code(3)`, `dacs_error_str(3)`, `dacs_error_de(3)`, `dacs_error_pid(3)`

dacs_error_code

NAME

dacs_error_code - Retrieve the extended error code from the specified error object.

SYNOPSIS

```
DACS_ERR_T dacs_error_code ( dacs_error_t error , uint32_t *code )
```

Call parameter

error An error handle.

Return parameter

*code A pointer to the error code.

DESCRIPTION

The dacs_error_code service retrieves the platform-specific extended error code from the specified error object.

RETURN VALUE

The dacs_error_code service returns an error indicator defined as:

- DACS_SUCCESS: normal return; error code is returned in *code*.
- DACS_ERR_INVALID_HANDLE: the error handle is invalid.
- DACS_ERR_INVALID_ADDR: the pointer is invalid.

SEE ALSO

dacs_errhandler_reg(3), dacs_strerror(3), dacs_error_num(3), dacs_error_str(3), dacs_error_de(3), dacs_error_pid(3)

dacs_error_str

NAME

dacs_error_str - Retrieve the error string for the specified error object.

SYNOPSIS

DACS_ERR_T dacs_error_str (**dacs_error_t** error, **const char** **errstr)

Call parameter

error An error handle.

Return parameter

**errstr A pointer to the error string.

DESCRIPTION

The dacs_error_str service returns the error string associated with the specified error. This is the string that is returned from dacs_strerror().

RETURN VALUE

The dacs_error_str service returns an error indicator defined as:

- **DACS_SUCCESS**: normal return: a pointer to the error string is passed back in *errstr*.
- **DACS_ERR_INVALID_HANDLE**: the specified error handle is invalid.
- **DACS_ERR_INVALID_ADDR**: the pointer is invalid.

SEE ALSO

dacs_errhandler_reg(3), dacs_strerror(3), dacs_error_num(3), dacs_error_code(3), dacs_error_de(3), dacs_error_pid(3)

dacs_error_de

NAME

dacs_error_de - Retrieve the originating DE for the specified error object.

SYNOPSIS

```
DACS_ERR_T dacs_error_de ( dacs_error_t error, de_id_t *de )
```

Call parameter

error An error handle.

Return parameter

*de A pointer indicating the DE which was the source of the error.

DESCRIPTION

The dacs_error_de service returns the originating DE for the specified error object.

RETURN VALUE

The dacs_error_de service returns an error indicator defined as:

- DACS_SUCCESS: normal return: the originating DE is passed back in *de*.
- DACS_ERR_INVALID_HANDLE: the specified error handle is invalid.
- DACS_ERR_INVALID_ADDR: the pointer is invalid.

SEE ALSO

dacs_errhandler_reg(3), dacs_strerror(3), dacs_error_num(3), dacs_error_code(3),
dacs_error_str(3), dacs_error_pid(3)

dacs_error_pid

NAME

dacs_error_pid - Retrieve the originating PID for the specified error object.

SYNOPSIS

DACS_ERR_T dacs_error_pid (dacs_error_t *error*, dacs_process_id_t **pid*)

Call parameter

error An error handle.

Return parameter

*pid A pointer indicating the PID which was the source of the error.

DESCRIPTION

The dacs_error_pid service returns the originating PID for the specified error object.

RETURN VALUE

The dacs_error_pid service returns an error indicator defined as:

- DACS_SUCCESS: normal return; the originating PID is passed back in *pid*.
- DACS_ERR_INVALID_HANDLE: the specified error handle is invalid.

SEE ALSO

dacs_errhandler_reg(3), dacs_strerror(3), dacs_error_num(3), dacs_error_code(3), dacs_error_str(3), dacs_error_de(3)

Appendix A. DaCS DE types

The current DaCS Element (DE) types in the current supported DaCS topology are listed below.

DACS_DE_SYSTEMX

The supervising host for a node.

DACS_DE_CELL_BLADE

An entire Cell BE blade. If a program is run on this DE, it has 16 SPE children, and the DACS_DE_CBE elements are not allowed to execute any processes. Some applications may find this configuration useful.

DACS_DE_CBE

Cell BE Blade Engine. A Cell BE Blade contains two of these. If used this way, a Cell BE has 8 SPE children. As with the DACS_DE_CELL_BLADE, if processes are running on a DACS_DE_CBE element, no processes are allowed on the parent DACS_DE_CELL_BLADE. Running processes on a Cell BE node allows finer control of memory and processor affinity and may increase performance.

DACS_DE_SPE

Cell BE Synergistic Processing Element.

Appendix B. Performance and debug trace

The Performance Debugging Tool (PDT) provides trace data necessary to debug functional and performance problems for applications using the DaCS library.

Versions of the DaCS libraries built with PDT trace hooks enabled are delivered with SDK 3.0.

Installing and running the PDT

The libraries with the trace hooks enabled are packaged in separate `-trace` named packages. The trace enabled libraries install to a subdirectory named `dacs/trace` in the library install directory. These packages and the PDT are included in the SDK 3.0 package but may not be installed by default. Please refer to the PDT user's guide for full instructions on how to install PDT, and how to set the correct environment variables to cause trace events to be generated. Included in the DaCS trace package is an example PDT configuration file which shows the available trace events that can be enabled or disabled.

Trace control

When a PDT-enabled application starts, PDT reads its configuration from a file. The PDT configuration for DaCS is separate from the configuration for your job.

Environment variable

PDT supports an environment variable (`PDT_CONFIG_FILE`) which allows you to specify the relative or full path to a configuration file. DaCS will ship an example configuration file which lists all of the DaCS groups and events and allows you to turn selected items on or off as desired. This will be shipped as:

```
/usr/share/pdt/config/pdt_dacs_config_cell.xml
```

In order to see the trace events the application must be built with the trace-enabled libraries. To see SPE events the application's SPE code must be rebuilt with special compile settings (see the PDT User's Guide for specifics) and needs to be linked with `/usr/spu/lib/dacs/trace/libdacs.a`, the trace-enabled DaCS SPU library code. To see PPE events the application must use the trace-enabled DaCS PPU code. If the application is using the static PPU library then it must be re-linked with `/usr/lib64/dacs/trace/libdacs.a`, the trace-enabled DaCS PPU library code. If the application was built using the shared PPU library then no re-linking is needed. In that case the library path must be changed to point to the trace-enabled PPU code as well as the PDT trace library, by setting the environment before running the application:

```
LD_LIBRARY_PATH=/usr/lib64/dacs/trace:/usr/lib64/trace
```

Appendix C. DaCS trace events

Where inputs or outputs are pointers to scalar types, both the pointer and the contents will be traced. To avoid any extra overhead of checking for NULL pointers, the trace code will only trace contents for pointers that are either required to be non-NULL by the API spec. or already have appropriate checks in the library. The contents of aggregate types will not be traced unless the entire object is passed in as an argument.

In general, there will be two trace hooks per API. The first will trace the input parameters and the second will trace the output values as well as the time interval of the API call. The performance hooks will generally have entry and exit hooks so the post-processing tools can show the time deltas. Note that the performance hooks are also debug hooks and will be enabled when either category is enabled.

DaCS API hooks

Table 3. Trace hooks enabled by LIBDACS group (0x04) in the config file.

Hook identifier	Traced values
_DACS_BARRIER_WAIT_ENTRY	group
_DACS_BARRIER_WAIT_EXIT_INTERVAL	retcode
_DACS_DE_KILL_ENTRY	deid, pid
_DACS_DE_KILL_EXIT_INTERVAL	retcode
_DACS_DE_START_ENTRY	deid, text, argv, envv, creation_flags, p_pid
_DACS_DE_START_EXIT_INTERVAL	retcode, pid
_DACS_DE_TEST_ENTRY	deid, pid, p_exit_status
_DACS_DE_TEST_EXIT_INTERVAL	retcode, exit_status
_DACS_DE_WAIT_ENTRY	deid, pid, p_exit_status
_DACS_DE_WAIT_EXIT_INTERVAL	retcode, exit_status
_DACS_GENERIC_DEBUG	long1, long2, long3, long4, long5, long6, long7, long8, long9, long10
_DACS_GET_ENTRY	dst_addr, src, src_offset, size, wid, order_attr, swap
_DACS_GET_EXIT_INTERVAL	retcode
_DACS_GET_LIST_ENTRY	dst_addr, dst_dma_list, dst_list_size, src_remote_mem, src_dma_list, src_list_size, wid, order_attr, swap
_DACS_GET_LIST_EXIT_INTERVAL	retcode
_DACS_MBOX_READ_ENTRY	msg, src_de, src_pid
_DACS_MBOX_READ_EXIT_INTERVAL	retcode
_DACS_MBOX_TEST_ENTRY	rw_flag, deid, pid, p_mbox_status
_DACS_MBOX_TEST_EXIT_INTERVAL	retcode, result
_DACS_MBOX_WRITE_ENTRY	msg, dst_de, dst_pid
_DACS_MBOX_WRITE_EXIT_INTERVAL	retcode
_DACS_MUTEX_ACCEPT_ENTRY	deid, pid, mutex
_DACS_MUTEX_ACCEPT_EXIT_INTERVAL	retcode

Table 3. Trace hooks enabled by LIBDACS group (0x04) in the config file. (continued)

Hook identifier	Traced values
_DACS_MUTEX_DESTROY_ENTRY	mutex
_DACS_MUTEX_DESTROY_EXIT_INTERVAL	retcode
_DACS_MUTEX_INIT_ENTRY	mutex
_DACS_MUTEX_INIT_EXIT_INTERVAL	retcode
_DACS_MUTEX_LOCK_ENTRY	mutex
_DACS_MUTEX_LOCK_EXIT_INTERVAL	retcode
_DACS_MUTEX_RELEASE_ENTRY	mutex
_DACS_MUTEX_RELEASE_EXIT_INTERVAL	retcode
_DACS_MUTEX_SHARE_ENTRY	deid, pid, mutex
_DACS_MUTEX_SHARE_EXIT_INTERVAL	retcode
_DACS_MUTEX_TRY_LOCK_ENTRY	mutex
_DACS_MUTEX_TRY_LOCK_EXIT_INTERVAL	retcode
_DACS_MUTEX_UNLOCK_ENTRY	mutex
_DACS_MUTEX_UNLOCK_EXIT_INTERVAL	retcode
_DACS_PUT_ENTRY	dst, dst_offset, src_addr, size, wid, order_attr, swap
_DACS_PUT_EXIT_INTERVAL	retcode
_DACS_PUT_LIST_ENTRY	dst, dst_dma_list, dma_list_size, src_addr, src_dma_list, src_list_size, wid, order_attr, swap
_DACS_PUT_LIST_EXIT_INTERVAL	retcode
_DACS_RMEM_ACCEPT_ENTRY	src_de, src_pid, remote_mem
_DACS_RMEM_ACCEPT_EXIT_INTERVAL	retcode
_DACS_RMEM_CREATE_ENTRY	addr, size, mode, local_mem
_DACS_RMEM_CREATE_EXIT_INTERVAL	retcode
_DACS_RMEM_DESTROY_ENTRY	remote_mem
_DACS_RMEM_DESTROY_EXIT_INTERVAL	retcode
_DACS_RMEM_RELEASE_ENTRY	remote_mem
_DACS_RMEM_RELEASE_EXIT_INTERVAL	retcode
_DACS_RMEM_SHARE_ENTRY	dst, dst_pid, local_mem
_DACS_RMEM_SHARE_EXIT_INTERVAL	retcode
_DACS_RUNTIME_EXIT_ENTRY	zero
_DACS_RUNTIME_EXIT_EXIT_INTERVAL	retcode
_DACS_RUNTIME_INIT_ENTRY	argp, envp
_DACS_RUNTIME_INIT_EXIT_INTERVAL	retcode

DaCS performance hooks

The COUNTERS and TIMERS hooks contain data that are accumulated during the DaCS calls. These data and trace events are reported by the `dacs_runtime_exit()` function.

Table 4. Trace hooks enabled by LIBDACS_GROUP group (0x06) in the config file.

Hook identifier	Traced values
_DACS_COUNTERS1	dacs_de_starts, dacs_de_waits, dacs_put_count, dacs_get_count, dacs_put_bytes, dacs_get_bytes, dacs_send_count, dacs_rcv_count, dacs_send_bytes, dacs_rcv_bytes
_DACS_COUNTERS2	dacs_mutex_try_success, dacs_mutex_try_failure, dacs_x1, dacs_x2
_DACS_HOST_MUTEX_INIT	lock
_DACS_HOST_MUTEX_LOCK	lock, miss
_DACS_HOST_MUTEX_TRYLOCK	lock, ret
_DACS_HOST_MUTEX_UNLOCK	lock
_DACS_PERF_GENERIC_DEBUG	long1, long2, long3, long4, long5, long6, long7, long8, long9, long10
_DACS_SPE_MUTEX_INIT	lock
_DACS_SPE_MUTEX_LOCK	lock, miss
_DACS_SPE_MUTEX_TRYLOCK	lock, ret
_DACS_SPE_MUTEX_UNLOCK	lock
_DACS_TIMERS	dacs_put, dacs_put_list, dacs_wait, dacs_send, dacs_rcv, dacs_mutex_lock, dacs_barrier_wait, dacs_mbox_read, dacs_mbox_write, dacs_x

Appendix D. Error codes

This section describes the DaCS error codes

All error codes which may be issued by DaCS APIs are listed here:

DACS_ERR_BUF_OVERFLOW: Buffer overflow

- the specified offset or size exceed the bounds of the target buffer.

DACS_ERR_BYTESWAP_MISMATCH: The byte swap flags on the source and target do not match.

DACS_ERR_GROUP_CLOSED: The group is closed.

DACS_ERR_GROUP_DUPLICATE: The specified process is already a member of the specified group.

DACS_ERR_GROUP_OPEN: The group has not been closed.

DACS_ERR_INITIALIZED: DaCS is already initialized.

DACS_ERR_INVALID_ARGV: The value of argv is too large or invalid.

DACS_ERR_INVALID_ADDR: The pointer is invalid.

DACS_ERR_INVALID_ATTR: The flag or enumerated constant is invalid.

DACS_ERR_INVALID_DE: The specified DE is either invalid or not reserved.

DACS_ERR_INVALID_ENV: The value of env is too large or invalid.

DACS_ERR_INVALID_HANDLE: The handle is invalid.

DACS_ERR_INVALID_PID: The specified PID does not refer to a valid process.

DACS_ERR_INVALID_PROG: Unable to execute the specified program.

DACS_ERR_INVALID_SIZE: The size is zero or is not supported by the platform.

DACS_ERR_INVALID_STREAM: The stream identifier is invalid.

DACS_ERR_INVALID_TARGET: This operation is not allowed for the target DE or process.

DACS_ERR_INVALID_WID: The wait identifier is invalid.

DACS_ERR_MUTEX_BUSY: The mutex is not available.

DACS_ERR_NO_PERM: The process does not have the appropriate privilege or the resource attributes do not allow the operation.

DACS_ERR_NO_RESOURCE: Unable to allocate required resources.

DACS_ERR_NO_WIDS: No more wait identifiers are available to be reserved.

DACS_ERR_NOT_ALIGNED: The buffer is incorrectly aligned for the size of the data.

DACS_ERR_NOT_INITIALIZED: DaCS has not been initialized.

DACS_ERR_NOT_OWNER: This operation is only permitted for the owner of the resource.

DACS_ERR_OWNER: This operation is not permitted for the owner of the resource.

DACS_ERR_PROC_LIMIT: The maximum number of processes supported has been reached.

DACS_ERR_PROHIBITED: This operation is prohibited by the implementation.

DACS_ERR_RESOURCE_BUSY: The specified resource is in use.

DACS_ERR_WID_ACTIVE: A data transfer involving the wait identifier is still active.

DACS_ERR_WID_NOT_ACTIVE: There are no outstanding transfers to test.

DACS_STS_PROC_ABORTED: The process terminated abnormally.

DACS_STS_PROC_FAILED: The process exited with a failure.

DACS_STS_PROC_FINISHED: The process finished execution without error.

DACS_STS_PROC_RUNNING: The process is still running.

DACS_SUCCESS: The API returned successfully.

DACS_WID_READY: All data transfers have completed.

DACS_WID_BUSY: One or more data transfers have not completed.

Appendix E. Accessibility features

IBM® and accessibility

See the IBM Accessibility Center at <http://www.ibm.com/able/> for more information about the commitment that IBM has to accessibility.

Notices

This information was developed for products and services offered in the U.S.A.

IBM may not offer the products, services, or features discussed in this document in other countries. Consult your local IBM representative for information on the products and services currently available in your area. Any reference to an IBM product, program, or service is not intended to state or imply that only that IBM product, program, or service may be used. Any functionally equivalent product, program, or service that does not infringe any IBM intellectual property right may be used instead. However, it is the user's responsibility to evaluate and verify the operation of any non-IBM product, program, or service.

IBM may have patents or pending patent applications covering subject matter described in this document. The furnishing of this document does not grant you any license to these patents. You can send license inquiries, in writing, to:

IBM Director of Licensing
IBM Corporation
North Castle Drive
Armonk, NY 10504-1785
U.S.A.

For license inquiries regarding double-byte (DBCS) information, contact the IBM Intellectual Property Department in your country or send inquiries, in writing, to:

IBM World Trade Asia Corporation
Licensing 2-31 Roppongi 3-chome, Minato-ku
Tokyo 106-0032, Japan

The following paragraph does not apply to the United Kingdom or any other country where such provisions are inconsistent with local law:

INTERNATIONAL BUSINESS MACHINES CORPORATION PROVIDES THIS PUBLICATION "AS IS" WITHOUT WARRANTY OF ANY KIND, EITHER EXPRESS OR IMPLIED, INCLUDING, BUT NOT LIMITED TO, THE IMPLIED WARRANTIES OF NON-INFRINGEMENT, MERCHANTABILITY OR FITNESS FOR A PARTICULAR PURPOSE. Some states do not allow disclaimer of express or implied warranties in certain transactions, therefore, this statement may not apply to you.

This information could include technical inaccuracies or typographical errors. Changes are periodically made to the information herein; these changes will be incorporated in new editions of the publication. IBM may make improvements and/or changes in the product(s) and/or the program(s) described in this publication at any time without notice.

Any references in this information to non-IBM Web sites are provided for convenience only and do not in any manner serve as an endorsement of those Web sites. The materials at those Web sites are not part of the materials for this IBM product and use of those Web sites is at your own risk.

IBM may use or distribute any of the information you supply in any way it believes appropriate without incurring any obligation to you.

Licenses of this program who wish to have information about it for the purpose of enabling: (i) the exchange of information between independently created programs and other programs (including this one) and (ii) the mutual use of the information which has been exchanged, should contact:

IBM Corporation
Software Interoperability Coordinator, Department 49XA
3605 Highway 52 N
Rochester, MN 55901
U.S.A.

Such information may be available, subject to appropriate terms and conditions, including in some cases, payment of a fee.

The licensed program described in this information and all licensed material available for it are provided by IBM under terms of the IBM Customer Agreement, IBM International Program License Agreement, or any equivalent agreement between us.

Any performance data contained herein was determined in a controlled environment. Therefore, the results obtained in other operating environments may vary significantly. Some measurements may have been made on development-level systems and there is no guarantee that these measurements will be the same on generally available systems. Furthermore, some measurements may have been estimated through extrapolation. Actual results may vary. Users of this document should verify the applicable data for their specific environment.

Information concerning non-IBM products was obtained from the suppliers of those products, their published announcements or other publicly available sources. IBM has not tested those products and cannot confirm the accuracy of performance, compatibility or any other claims related to non-IBM products. Questions on the capabilities of non-IBM products should be addressed to the suppliers of those products.

All statements regarding IBM's future direction or intent are subject to change or withdrawal without notice, and represent goals and objectives only.

All IBM prices shown are IBM's suggested retail prices, are current and are subject to change without notice. Dealer prices may vary.

This information is for planning purposes only. The information herein is subject to change before the products described become available.

This information contains examples of data and reports used in daily business operations. To illustrate them as completely as possible, the examples include the names of individuals, companies, brands, and products. All of these names are fictitious and any similarity to the names and addresses used by an actual business enterprise is entirely coincidental.

COPYRIGHT LICENSE:

This information contains sample application programs in source language, which illustrate programming techniques on various operating platforms. You may copy, modify, and distribute these sample programs in any form without payment to IBM, for the purposes of developing, using, marketing or distributing application programs conforming to the application programming interface for the operating

platform for which the sample programs are written. These examples have not been thoroughly tested under all conditions. IBM, therefore, cannot guarantee or imply reliability, serviceability, or function of these programs.

CODE LICENSE AND DISCLAIMER INFORMATION:

The manufacturer grants you a nonexclusive copyright license to use all programming code examples from which you can generate similar function tailored to your own specific needs.

SUBJECT TO ANY STATUTORY WARRANTIES WHICH CANNOT BE EXCLUDED, THE MANUFACTURER, ITS PROGRAM DEVELOPERS AND SUPPLIERS, MAKE NO WARRANTIES OR CONDITIONS EITHER EXPRESS OR IMPLIED, INCLUDING BUT NOT LIMITED TO, THE IMPLIED WARRANTIES OR CONDITIONS OF MERCHANTABILITY, FITNESS FOR A PARTICULAR PURPOSE, AND NON-INFRINGEMENT, REGARDING THE PROGRAM OR TECHNICAL SUPPORT, IF ANY.

UNDER NO CIRCUMSTANCES IS THE MANUFACTURER, ITS PROGRAM DEVELOPERS OR SUPPLIERS LIABLE FOR ANY OF THE FOLLOWING, EVEN IF INFORMED OF THEIR POSSIBILITY:

1. LOSS OF, OR DAMAGE TO, DATA;
2. SPECIAL, INCIDENTAL, OR INDIRECT DAMAGES, OR FOR ANY ECONOMIC CONSEQUENTIAL DAMAGES; OR
3. LOST PROFITS, BUSINESS, REVENUE, GOODWILL, OR ANTICIPATED SAVINGS.

SOME JURISDICTIONS DO NOT ALLOW THE EXCLUSION OR LIMITATION OF DIRECT, INCIDENTAL, OR CONSEQUENTIAL DAMAGES, SO SOME OR ALL OF THE ABOVE LIMITATIONS OR EXCLUSIONS MAY NOT APPLY TO YOU.

Each copy or any portion of these sample programs or any derivative work, must include a copyright notice as follows:

© (your company name) (year). Portions of this code are derived from IBM Corp. Sample Programs. © Copyright IBM Corp. _enter the year or years_. All rights reserved.

If you are viewing this information softcopy, the photographs and color illustrations may not appear.

Trademarks

The following terms are trademarks of International Business Machines Corporation in the United States, other countries, or both:

IBM
developerWorks
PowerPC
PowerPC® Architecture
Resource Link

Adobe, Acrobat, Portable Document Format (PDF), and PostScript are either registered trademarks or trademarks of Adobe Systems Incorporated in the United States, other countries, or both.

Cell Broadband Engine™ and Cell/B.E.™ are trademarks of Sony Computer Entertainment, Inc., in the United States, other countries, or both and is used under license therefrom.

Linux® is a trademark of Linus Torvalds in the United States, other countries, or both.

Other company, product or service names may be trademarks or service marks of others.

Terms and conditions

Permissions for the use of these publications is granted subject to the following terms and conditions.

Personal Use: You may reproduce these publications for your personal, noncommercial use provided that all proprietary notices are preserved. You may not distribute, display or make derivative works of these publications, or any portion thereof, without the express consent of the manufacturer.

Commercial Use: You may reproduce, distribute and display these publications solely within your enterprise provided that all proprietary notices are preserved. You may not make derivative works of these publications, or reproduce, distribute or display these publications or any portion thereof outside your enterprise, without the express consent of the manufacturer.

Except as expressly granted in this permission, no other permissions, licenses or rights are granted, either express or implied, to the publications or any data, software or other intellectual property contained therein.

The manufacturer reserves the right to withdraw the permissions granted herein whenever, in its discretion, the use of the publications is detrimental to its interest or, as determined by the manufacturer, the above instructions are not being properly followed.

You may not download, export or re-export this information except in full compliance with all applicable laws and regulations, including all United States export laws and regulations.

THE MANUFACTURER MAKES NO GUARANTEE ABOUT THE CONTENT OF THESE PUBLICATIONS. THESE PUBLICATIONS ARE PROVIDED "AS-IS" AND WITHOUT WARRANTY OF ANY KIND, EITHER EXPRESSED OR IMPLIED, INCLUDING BUT NOT LIMITED TO IMPLIED WARRANTIES OF MERCHANTABILITY, NON-INFRINGEMENT, AND FITNESS FOR A PARTICULAR PURPOSE.

Related documentation

This topic helps you find related information.

Document location

Links to documentation for the SDK are provided on the developerWorks® Web site located at:

<http://www.ibm.com/developerworks/power/cell/>

Click the **Docs** tab.

The following documents are available, organized by category:

Architecture

- *Cell Broadband Engine Architecture*
- *Cell Broadband Engine Registers*
- *SPU Instruction Set Architecture*

Standards

- *C/C++ Language Extensions for Cell Broadband Engine Architecture*
- *Cell Broadband Engine Linux Reference Implementation Application Binary Interface Specification*
- *SIMD Math Library Specification for Cell Broadband Engine Architecture*
- *SPU Application Binary Interface Specification*
- *SPU Assembly Language Specification*

Programming

- *Cell Broadband Engine Programmer's Guide*
- *Cell Broadband Engine Programming Handbook*
- *Cell Broadband Engine Programming Tutorial*

Library

- *Accelerated Library Framework for Cell Programmer's Guide and API Reference*
- *Accelerated Library Framework for Hybrid-x86 Programmer's Guide and API Reference*
- *Basic Linear Algebra Subprograms Programmer's Guide and API Reference*
- *Cell Broadband Engine Monte Carlo Library API Reference Manual*
- *Data Communication and Synchronization for Cell Programmer's Guide and API Reference*
- *Data Communication and Synchronization for Hybrid-x86 Programmer's Guide and API Reference*
- *Example Library API Reference*
- *Mathematical Acceleration Subsystem (MASS)*
- *SIMD Math Library API Reference*
- *SPE Runtime Management Library*
- *SPE Runtime Management Library Version 1 to Version 2 Migration Guide*
- *SPU Timer Library*

Installation

- *SDK for Multicore Acceleration Version 3.0 Installation Guide*

IBM XL C/C++ and IBM XL Fortran Compilers

Documentation for the compilers is available from the following Web sites:

- <http://www.ibm.com/software/awdtools/xlcpp/>
- <http://www.ibm.com/software/awdtools/fortran/>

IBM Full-System Simulator

- *IBM Full-System Simulator User's Guide*
- *Performance Analysis with the IBM Full-System Simulator*

Tools

- *Getting Started - XL C/C++ Advanced Edition for Linux*
- *Compiler Reference - XL C/C++ Advanced Edition for Linux*
- *Language Reference - XL C/C++ Advanced Edition for Linux*
- *Programming Guide - XL C/C++ Advanced Edition for Linux*
- *Installation Guide - XL C/C++ Advanced Edition for Linux*
- *Getting Started - XL Fortran Advanced Edition for Linux*
- *Compiler Reference - XL Fortran Advanced Edition for Linux*
- *Language Reference - XL Fortran Advanced Edition for Linux*
- *Optimization and Programming Guide - XL Fortran Advanced Edition for Linux*
- *Installation Guide - XL Fortran Advanced Edition for Linux*
- *Using the single-source compiler*
- *Performance Analysis with the IBM Full-System Simulator*
- *IBM Full-System Simulator User's Guide*
- *IBM Visual Performance Analyzer User's Guide*

PowerPC Base

- *PowerPC Architecture™ Book*
 - *Book I: PowerPC User Instruction Set Architecture*
 - *Book II: PowerPC Virtual Environment Architecture*
 - *Book III: PowerPC Operating Environment Architecture*
- *PowerPC Microprocessor Family: Vector/SIMD Multimedia Extension Technology Programming Environments Manual*

Glossary

Accelerator

General or special purpose processing element in a hybrid system. An accelerator might have a multi-level architecture with both host elements and accelerator elements. An accelerator, as defined here, is a hierarchy with potentially multiple layers of hosts and accelerators. An accelerator element is always associated with one host. Aside from its direct host, an accelerator cannot communicate with other processing elements in the system. The memory subsystem of the accelerator can be viewed as distinct and independent from a host. This is referred to as the subordinate in a cluster collective.

All-reduce operation

Output from multiple accelerators is reduced and combined into one output.

cluster

A collection of nodes.

Compute kernel

Part of the accelerator code that does stateless computation task on one piece of input data and generates corresponding output results.

Compute task

An accelerator execution image that consists of a compute kernel linked with the accelerated library framework accelerator runtime library.

DaCS Element

A general or special purpose processing element in a topology. This refers specifically to the physical unit in the topology. A DE can serve as a Host or an Accelerator.

DE

See DaCS element.

de_id

A unique number assigned by the DaCS application at runtime to a physical processing element in a topology.

group

A group construct specifies a collection of DaCS DEs and processes in a system.

handle

A handle is an abstraction of a data object; usually a pointer to a structure.

Host

A general purpose processing element in a hybrid system. A host can have multiple accelerators attached to it. This is often referred to as the master node in a cluster collective.

Main thread

The main thread of the application. In many cases, Cell/B.E. architecture programs are multi-threaded using multiple SPEs running concurrently. A typical scenario is that the application consists of a main thread that creates as many SPE threads as needed and the application organizes them.

node

A node is a functional unit in the system topology, consisting of one host together with all the accelerators connected as children in the topology (this includes any children of accelerators).

parent

The parent of a DE is the DE that resides immediately above it in the topology tree.

PPE

PowerPC Processor Element. The general-purpose processor in the Cell/B.E. processor.

process

A process is a standard UNIX-type process with a separate address space.

SIMD

Single Instruction Multiple Data. Processing in which a single instruction operates on multiple data elements that make up a vector data-type. Also known as vector processing. This style of programming implements data-level parallelism.

SPMD

Single Program Multiple Data. A common style of parallel computing. All processes use the same program, but each has its own data.

SPE

Synergistic Processor Element. Extends the PowerPC 64 architecture by acting as cooperative offload processors (synergistic processors), with the direct memory access (DMA) and synchronization mechanisms to communicate with them (memory flow control), and with enhancements for real-time management. There are 8 SPEs on each Cell/B.E. processor.

SPU

Synergistic Processor Unit. The part of an SPE that executes instructions from its local store (LS).

System X

This is a project-neutral description of the supervising system for a node.

thread

A sequence of instructions executed within the global context (shared memory space and other global resources) of a process that has created (spawned) the thread. Multiple threads (including multiple instances of the same sequence of instructions) can run simultaneously if each thread has its own architectural state (registers, program counter, flags, and other program-visible state). Each SPE can support only a single thread at any one time. Multiple SPEs can simultaneously support multiple threads. The PPE supports two threads at any one time, without the need for software to create the threads. It does

this by duplicating the architectural state. A thread is typically created by the pthreads library.

topology

A topology is a configuration of DaCS elements in a system. The topology specifies how the different processing elements in a system are related to each other. DaCS assumes a tree topology: each DE has at most one parent.

Work block

A basic unit of data to be managed by the framework. It consists of one piece of the partitioned data, the corresponding output buffer, and related parameters. A work block is associated with a task. A task can have as many work blocks as necessary.

Work queue

An internal data structure of the accelerated library framework that holds the lists of work blocks to be processed by the active instances of the compute task.

Index

D

dacs_barrier_wait 29
dacs_de_start 15
dacs_de_test 20
dacs_de_wait 19
dacs_errhandler_reg 71
dacs_error_code 74
dacs_error_de 76
dacs_error_num 73
dacs_error_pid 77
dacs_error_str 75
dacs_get 40
dacs_get_list 45
dacs_get_num_avail_children 11
dacs_group_accept 27
dacs_group_add_member 24
dacs_group_close 25
dacs_group_destroy 26
dacs_group_init 23
dacs_group_leave 28
dacs_mailbox_read 52
dacs_mailbox_test 53
dacs_mailbox_write 51
dacs_mutex_accept 62
dacs_mutex_destroy 67
dacs_mutex_init 60
dacs_mutex_lock 63
dacs_mutex_release 66
dacs_mutex_share 61
dacs_mutex_try_lock 64
dacs_mutex_unlock 65
dacs_num_processes_running 18
dacs_num_processes_supported 17
dacs_put 38
dacs_put_list 42
dacs_recv 49
dacs_release_de_list 13
dacs_remote_mem_accept 34
dacs_remote_mem_create 32
dacs_remote_mem_destroy 36
dacs_remote_mem_query 37
dacs_remote_mem_release 35
dacs_remote_mem_share 33
dacs_reserve_children 12
dacs_runtime_exit 9
dacs_runtime_init 8
dacs_send 48
dacs_strerror 72
dacs_test 57
dacs_wait 58
dacs_wid_release 56
dacs_wid_reserve 55
documentation 95

E

error handler 71

S

SDK documentation 95
SIGTERM 69

Readers' Comments — We'd Like to Hear from You

Software Development Kit for Multicore Acceleration
Version 3.0
Data Communication and Synchronization Library for Cell Broadband Engine
Programmer's Guide and API Reference

Publication No. SC33-8407-00

We appreciate your comments about this publication. Please comment on specific errors or omissions, accuracy, organization, subject matter, or completeness of this book. The comments you send should pertain to only the information in this manual or product and the way in which the information is presented.

For technical questions and information about products and prices, please contact your IBM branch office, your IBM business partner, or your authorized remarketer.

When you send comments to IBM, you grant IBM a nonexclusive right to use or distribute your comments in any way it believes appropriate without incurring any obligation to you. IBM or any other organizations will only use the personal information that you supply to contact you about the issues that you state on this form.

Comments:

Thank you for your support.

Submit your comments using one of these channels:

- Send your comments to the address on the reverse side of this form.
- Send a fax to the following number: +49-731-16-3456
- Send your comments via e-mail to: eservdoc@de.ibm.com
- Send a note from the web page:

If you would like a response from IBM, please fill in the following information:

Name

Address

Company or Organization

Phone No.

E-mail address



Fold and Tape

Please do not staple

Fold and Tape



NO POSTAGE
NECESSARY
IF MAILED IN THE
UNITED STATES

BUSINESS REPLY MAIL

FIRST-CLASS MAIL PERMIT NO. 40 ARMONK, NEW YORK

POSTAGE WILL BE PAID BY ADDRESSEE

IBM Deutschland Entwicklung GmbH
Department 3248
Schoenaicherstrasse 220
D-71032 Boeblingen
Germany



Fold and Tape

Please do not staple

Fold and Tape



Printed in USA

SC33-8407-00

